

Visit our  
website:  
[www.sl-rack.com](http://www.sl-rack.com)

Find us on



## Innovative evolution for your projects



Since 1996, we have continuously developed and refined our racking systems to make everyday work easier for installers. Efficiency and cost-effectiveness are at the heart of our development process – alongside fast order processing and reliable delivery.

During component design we have consistently focused on a top-down installation approach to ensure a smooth and uninterrupted workflow. SL Rack systems are easy to install, universally applicable and intuitive to use, while still providing the flexibility to adapt to each respective project.

**Ludwig Schletter**  
Pioneer and Visionary  
of PV Racking Systems



## SL Rack in numbers:

**26**..... Years of experience

**30**..... GW installed worldwide

**200**..... Employees are happy to help!

**EU**..... Almost exclusively manufactured in Germany and Europe



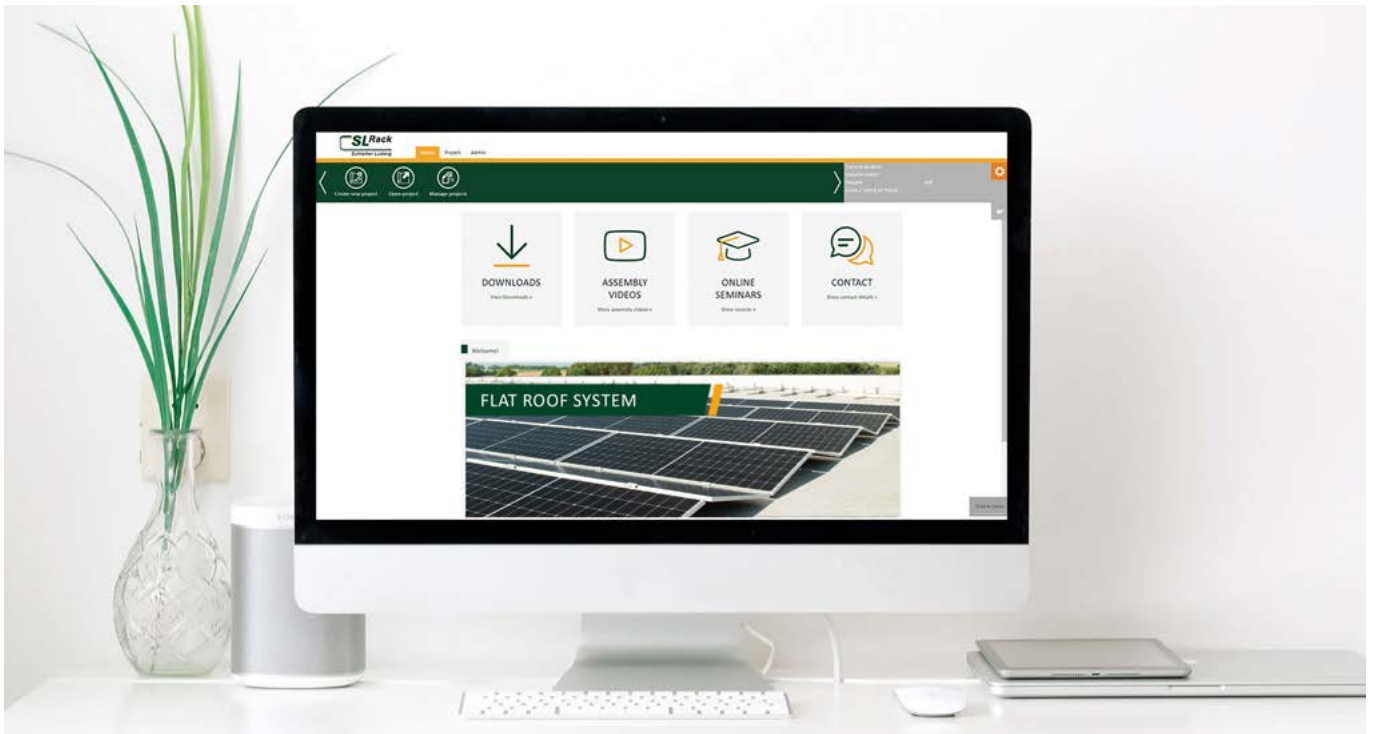
Visit our  
website:  
[www.sl-rack.com](http://www.sl-rack.com)



Check out our  
YouTube-channel:  
[Installation videos »](#)



\*Our warranty conditions apply. They are available at [www.sl-rack.com](http://www.sl-rack.com)



## Welcome to our **Solar.Pro.Tool**

Solar.Pro.Tool



Design your rooftop projects quickly and with ease using our **Solar.Pro.Tool**, available on our website.

- » For all pitched and flat roofs
- » Finish your design in 10 simple steps
- » In 2D or 3D (PDF, DXF, DWG)
- » Building authority certified
- » Precise ballast calculations for any type of flat roof
- » Drawings and bill of material



## The numerous advantages of the SL Energy Wall

The SL Energy Wall is the perfect solution to enhance the functionality and appearance of any facade. The innovative hybrid system allows for a quick and easy installation with pre-assembled profiles that require only a Torx 40 tool. The modular design not only provides flexibility during installation, but also makes maintenance and replacement of modules much easier. The integrated grounding and water drainage of the systems ensure maximum safety and durability.



A special highlight is the almost invisible attachment of the modules, which ensures a particularly aesthetic appearance. With a variable clamping range of 28 – 50 mm and a low overall height, the system adapts perfectly to the requirements of various module manufacturers. The use of black anodized aluminum and stainless steel hardware ensures a durable, corrosion-resistant construction that is both contemporary and attractive.

- » Quick and easy mounting for an efficient installation.
  - » Flexible adaptability to various types of modules and facades.
  - » Increased building value due to modern and contemporary design.
  - » Sustainable and environmentally friendly solution for a greener future.
- 
- » Innovative hybrid system for facades with modular design, consisting of three fully assembled rails and the necessary hardware.
  - » Option of horizontal or vertical installation.
  - » Integrated grounding and water drainage.
  - » **Dimensions:**  
Length 1790/4575 mm,  
width 50 mm, height 60 – 82 mm
  - » **Material:**  
Anodized aluminum, stainless steel hardware



## Facade System Bottom, Mid and Top

- » Racking for wall-mounting of modules, consisting of 3 fully pre-assembled rails and the respective stainless steel bolts.
- » Profile combines insertion and clamping.
- » Clamping range 28 – 50 mm.
- » Available in two different length.
- » **Dimensions:**  
Length 1790/4575 mm,  
Width 50 mm,  
Height 60 – 82 mm
- » **Material:**  
Anodized aluminum, stainless steel hardware
- » **Colour:** Black



### FACADE SYSTEM BOTTOM

Item no. 36121-1790	EAN 4262355112968	Facade System Bottom – 1790 mm, black anodized	40 Pcs. per PU
Item no. 36121-4575	EAN 4262355112760	Facade System Bottom – 4575 mm, black anodized	40 Pcs. per PU



### FACADE SYSTEM MID

Item no. 36122-1790	EAN 4262355112951	Facade System Mid– 1790 mm, black anodized	40 Pcs. per PU
Item no. 36122-4575	EAN 4262355112784	Facade System Mid– 4575 mm, black anodized	40 Pcs. per PU



### FACADE SYSTEM TOP

Item no. 36123-1790	EAN 4262355112944	Facade System Top – 1790 mm, black anodized	40 Pcs. per PU
Item no. 36123-4575	EAN 4262355112807	Facade System Top – 4575 mm, black anodized	40 Pcs. per PU

## Facade Fastener

- » Attachment of the SL Energy Wall to the facade.
- » Mounting hole with  $\varnothing$  13 mm for standard wall mounting, e.g. M12 adhesive anchors.
- » Mounting in two directions.  
Adjusting bolt pointing upwards/downwards.
- » Millimeter-precision alignment of profiles.
- » Provides 6 cm of back-side ventilation.
- » Completely pre-assembled.
- » **Dimensions:**  
Length 130 mm, width 35 mm, height 43 mm
- » Material: Aluminum, stainless steel hardware
- » Colour: Mill finish



Item no. 31107-00	EAN 4262355112920	Facade Fastener	80 Pcs. per PU
-------------------	-------------------	-----------------	----------------

## Hanger Bolt Adaptor 2.0

- » Universal mounting of any SL Rack RAIL and common rails with a bottom groove of 10.5 mm.
- » M12 hanger bolts as well as threaded rods.
- » **Dimensions:**  
Length 90 mm, width 45 mm, height 20 mm
- » Material: Aluminum
- » Weight: 0.137 kg



Item no. 11302-12	EAN 4262355112586	Hanger Bolt Adaptor 2.0 M12	100 Pcs. per PU
-------------------	-------------------	-----------------------------	-----------------

## Cross Connector 2.0

- » Facilitates 90° cross connections for all SL Rack rails
- » Convenient installation from the top
- » Lightning current carrying connection for increased safety.
- » **Dimensions:**  
Length 80 mm, width 38 mm, height 48/27 mm
- » Material: Aluminum
- » Weight: 0,098 kg



Item no. 91204-00	EAN 4262355112517	Cross Connector 2.0	100 Pcs. per PU
-------------------	-------------------	---------------------	-----------------

## External Connector for all RAILS (excl. RAIL 120)

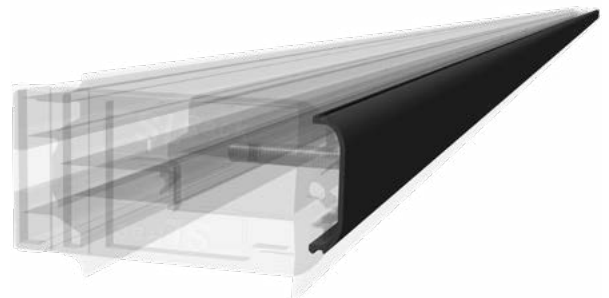
- » Connection of profiles.
- » Low height of only 20 mm for flat structures.
- » Compatible with all SL Rack RAILS.
- » Installed from the top with only one tool.
- » General Building Authority approved and tested for lightning current carrying capacity.
- » **Dimensions:**  
Length 130 mm, width 84 mm, height 26 mm
- » Weight: 0.285 kg
- » Material: Anodized aluminum
- » Colour: Black



Item no. 86110-00	EAN 4262355112913	External Connector for all RAILS, black anodized	40 Pcs. per PU
-------------------	-------------------	--	----------------

## Facade System Cover

- » Seamless finish for facade profiles.
- » Easy click-mount.
- » Screw-less attachment.
- » **Dimensions:**  
Length 1790/4575 mm, width 32 mm, height 7 mm
- » Material: Anodized aluminum
- » Colour: Black



### VARIANTS

Item no. 36105-1790	EAN 4262355112975	Facade System Cover – 1790 mm, black anodized	120 Pcs. per PU
Item no. 36105-4575	EAN 4262355112746	Facade System Cover – 4575 mm, black anodized	120 Pcs. per PU

## Facade System End Cap

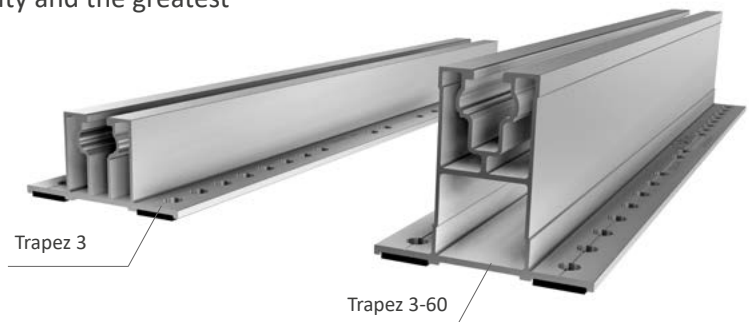
- » End caps for the edge of all facade profiles.
- » Set consists of two end caps (left and right).
- » Adjustable to any module height.
- » **Dimensions:**  
Length 80 mm, width 81/40 mm, height 18 mm
- » Material: Plastic
- » Colour: Black



Item no. 31106-00	EAN 4262355112722	Facade System End Cap, black	200 Pcs. per PU
-------------------	-------------------	------------------------------	-----------------

## Trapez 3 & Trapez 3-60

- » Convenient and time-saving installation from the top.
- » The 370 mm long mounting rail can run over several ribs.
- » Installation on the rib ensures optimal accessibility and the greatest possible distance from the water-bearing layer
- » Horizontal module installation through addition of Support Plates (item no. 91701-00)
- » **Dimensions:** Length 370 mm, width 50 mm, height 30 mm and 60 mm
- » Material: Aluminum



### VARIANTS

Item no. 11205-03	EAN 4262355110438	Trapez 3	50 Pcs. per PU
Item no. 11205-04	EAN 4262355110458	Trapez 3-60	50 Pcs. per PU

## Trapez 5 & Trapez 5-60

- » Fits any trapezoidal sheet metal geometry.
- » Convenient and time-saving installation from the top.
- » Integrated rail channel for easy system connection.
- » Pre-installed UV resistant EPDM rubber strips for sealing.
- » **Dimensions:** Length 180 mm, width 30 mm, height 33 mm and 60 mm
- » Material: Aluminum, EPDM



### VARIANTS

Item no. 11202-01	EAN 4262355110452	Trapez 5	100 Pcs. per PU
Item no. 11202-02	EAN 4262355113187	Trapez 5-60	75 Pcs. per PU

## Lightning Protection Clamp bottom

- » Completely pre-assembled for a quick installation.
- » Compatible with round wire (8 mm and 10 mm).
- » Lightning Protection Clamp with low height.
- » M10 hex bolt and nut included.
- » **Dimensions:** Length 52 mm, width 50 mm, height 30/23 mm
- » Material: Aluminum, M6 stainless steel bolt



Item no. 91520-00	EAN 4262355110759	Lightning Protection Clamp bottom	100 Pcs. per PU
-------------------	-------------------	-----------------------------------	-----------------

## Cable Clip

- » Elevated cable routing prevents water accumulation
- » UV-resistant
- » Mounts directly into the rail channel
- » Weight: 0.042 kg
- » Material: HDPE



Item no. 22300-41	EAN 4262355113040	Cable Clip	100 Pcs. per PU
-------------------	-------------------	------------	-----------------

## Hilti Mounting Material

- » Mounting for concrete walls, brick walls, and ETICS (External Thermal Insulation Composite Systems)
- » M12 thread for Facade Fastener and **Hanger Bolt Adaptor**



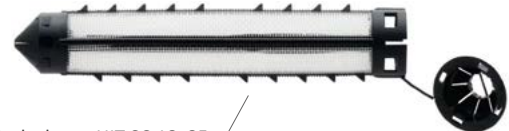
Hilti Anchor rod KIH-T 8.8 M12



Hilti Screw anchor HUS4-AF M12



Hilti Injection mortar HIT-HY 270



Hilti Mesh sleeve HIT-SC 18x85

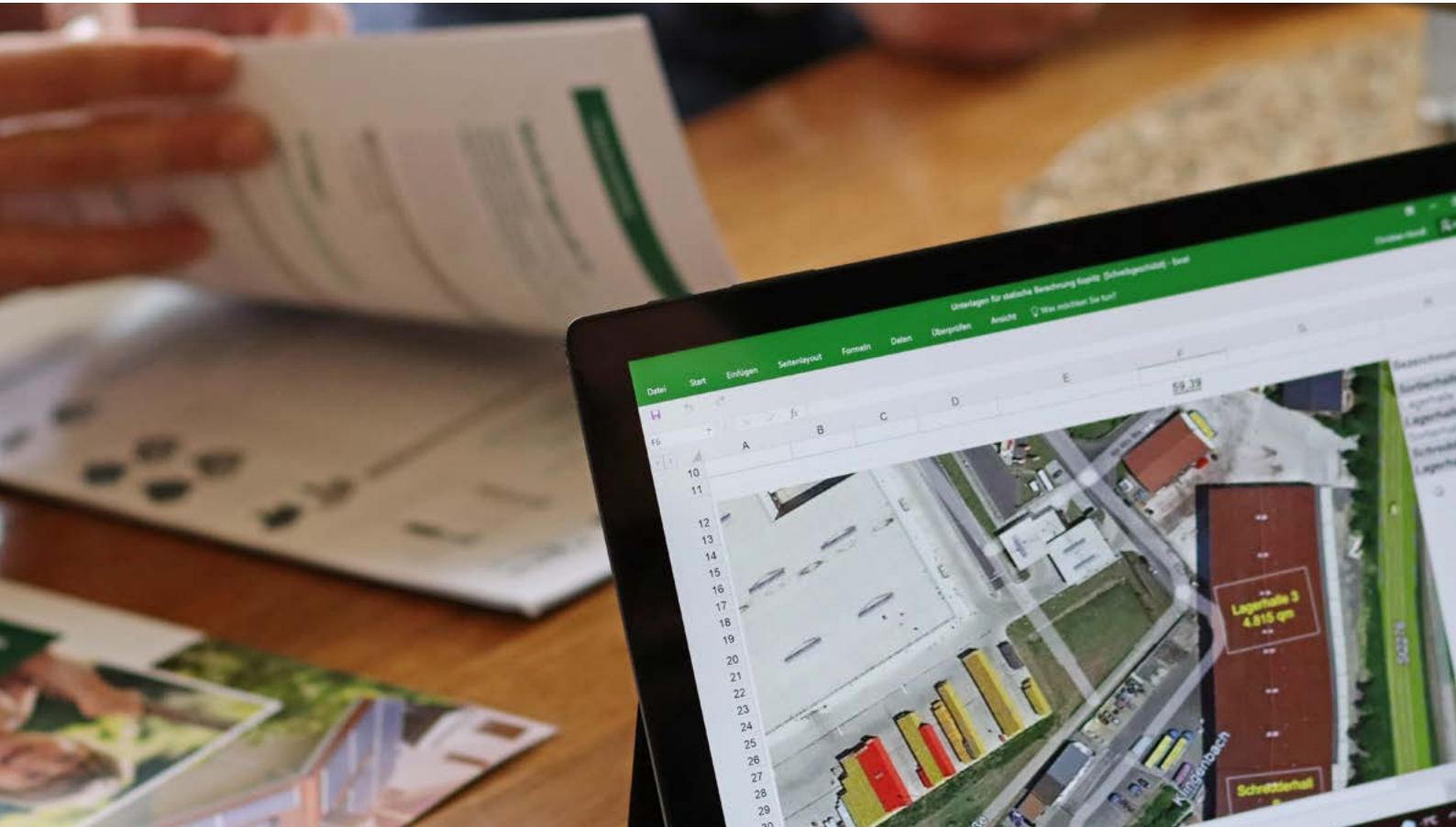


Hilti Hammer drill bit TE-CX 18/48

### VARIANTS

Item no. 93701-12	Hilti Anchor rod KIH-T 8.8 M12	20 Pcs. per PU
Item no. 93702-12	Hilti Screw anchor HUS4-AF M12	20 Pcs. per PU
Item no. 97901-01	Hilti Injection mortar HIT-HY 270	1 Pcs. per PU
Item no. 97902-01	Hilti Mesh sleeve HIT-SC 18x85	100 Pcs. per PU
Item no. 92301-01	Hilti Hammer drill bit TE-CX 18/48	1 Pcs. per PU





SL Rack

[YouTube](#)



SL Rack  
[Website](#)



SL Rack  
[Online-ordering  
system](#)



Contact us  
for an offer:

**SL Rack GmbH**  
Münchener Straße 1  
83527 Haag i. OB  
Email: [sales@sl-rack.com](mailto:sales@sl-rack.com)  
Phone: +49 8072 3767-0  
[www.sl-rack.com](http://www.sl-rack.com)