

**30-YEAR DURABILITY WARRANTY***

Item no. 84913-1000

Features

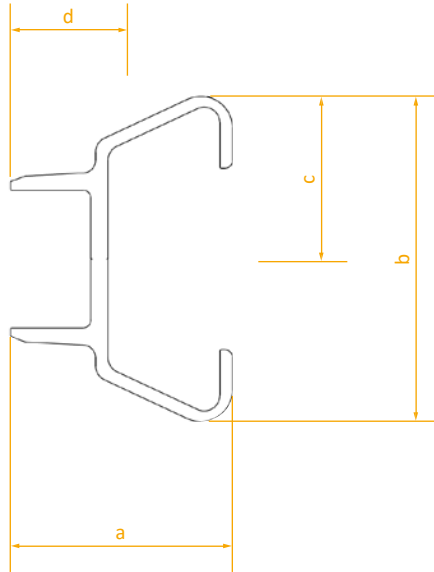
- » Revolutionary durability, designed for use in corrosive soils and wetlands such as bogs.
=> No soil contamination.
- » No microplastic formation (confirmed according to DIN 16456-1) and therefore environmentally safe (hygiene tested to DIN EN 1744-3).
- » Extends the range of applications; can be used in water conservation areas where ramming piles made of other materials is not permitted.
- » Very high UV resistance (tested to DIN EN ISO 4892-2).
- » **30-year durability warranty***
- » Material: filled plastic made from recycled and un-plasticised polyvinyl chloride (PVC).

*Our warranty conditions apply.
They are available at www.sl-rack.de



Dimensions

| | a | b | c | d |
|------------------------|----------------|----------------|----------------|---------------|
| Special plastic W-pile | approx. 141 mm | approx. 206 mm | approx. 105 mm | approx. 74 mm |



Certificates and report



[Certificate](#)
DIN 16456-1:2017-10



[Certificate](#)
ISO 9001:2015



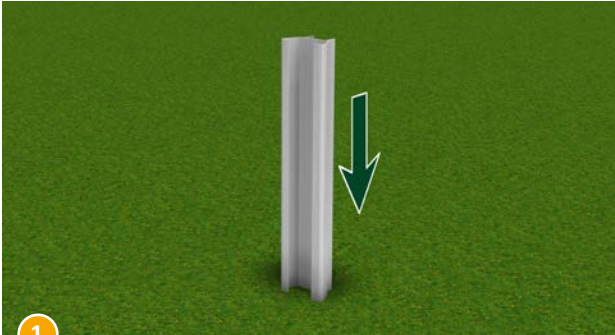
[Test report](#)
PVC-coated sheet pile
vinyl profiles from
a groundwater
hygiene perspective



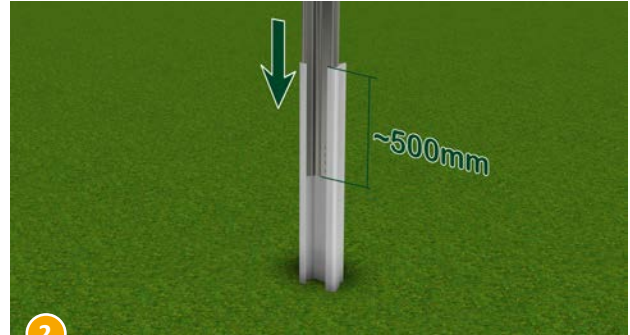
[Certificate](#)
SSH sheet pile wall
MUC-KSP-A 1045



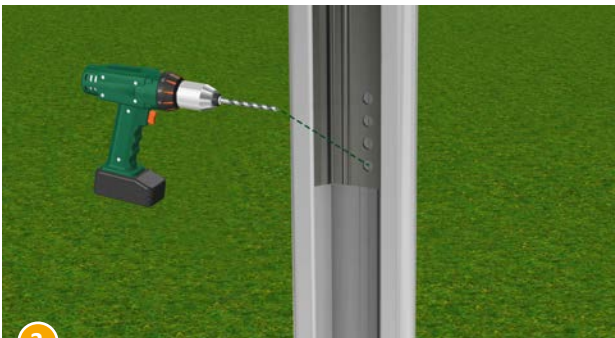
Installation



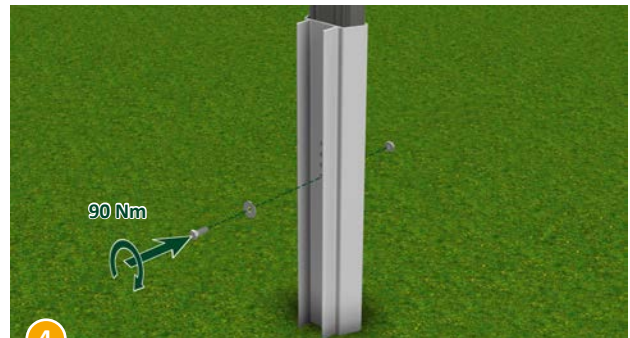
1 Install the special plastic W-pile according to the ramming plan with an industry-standard hydraulic ram.



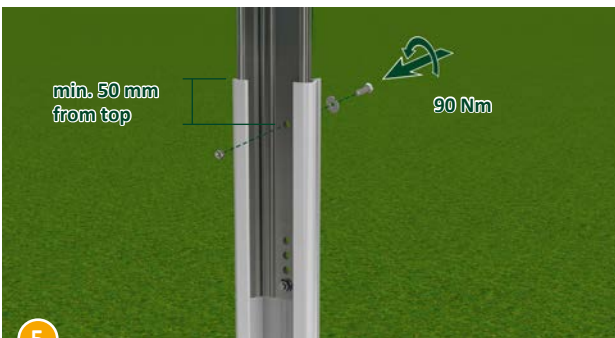
2 Insert the steel W-pile into the special plastic W-pile.
Attention: Observe the minimum overlap of 500 mm!



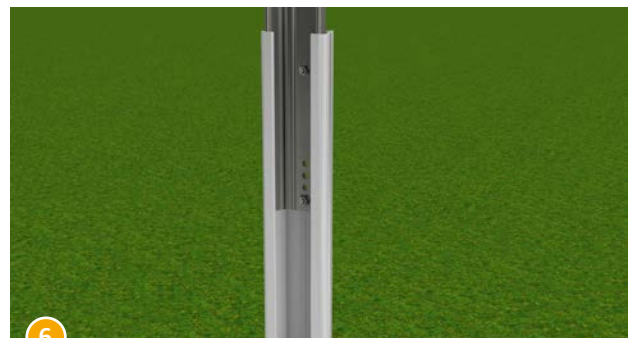
3 Drill through the special plastic W-pile using the bottom hole of the steel W-pile.



4 Fixate the steel W-pile with an M16 bolt and tighten it to 90 Nm.



5 Drill a hole through both pile sections as shown. Then fixate the steel W-pile with an M16 bolt and tighten it to 90 Nm.



6 Done!



Technical data

Material Filled plastic made from recycled and un-plasticised polyvinyl chloride (PVC).



It is our top priority to make the installation process for you as quick, easy and efficient as possible. Please share your experiences, ideas or criticism with us, so we can continue to improve our products and develop new ones.



SL Rack **Feedback**
[Provide feedback >](#)



SL Rack **Website**
[Check it out >](#)



SL Rack **YouTube**
[Watch videos >](#)

Visit us at



Subject to technical changes
and printing errors.
Version 04/2025 V4