



Your advantages with our products

- » Deep top rail channel accommodates module clamps for frame heights 30 mm - 50 mm
- » Bottom rail channel is optimized to fit all SL Rack rooftop attachments
- » Compatible with popular racking systems on the market
- » Easy handling and stacking
- » Same weight/static values as comparable products
- » Different rail heights result in varying spans (RAIL 60 and RAIL 120 provide the longest spans between roof attachments)
- » RAIL 30 and 35 is weight-optimized for lower loads
- » RAIL 120 ensures easy access to plugs and better rear ventilation of the modules
- » RAIL 7 can lead to yield increase, thanks to an additional inclination of 7°
- » RAIL 15 can lead to yield increase, thanks to an additional inclination of 15°
- » Available in various length, also in black anodized



RAIL 30

RAIL 35

RAIL 40

RAIL 60

RAIL 120

RAIL 7
unten

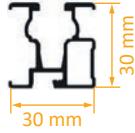
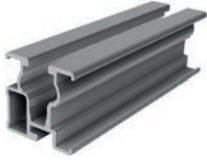
RAIL 7
oben

RAIL 15
unten

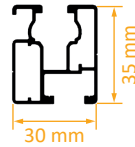
RAIL 15
oben

*Our warranty conditions apply.
They are available at www.sl-rack.com

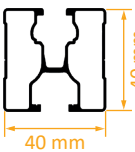
Variants



RAIL 30 - 5400 mm
Item no. 81130-5400



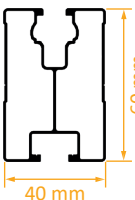
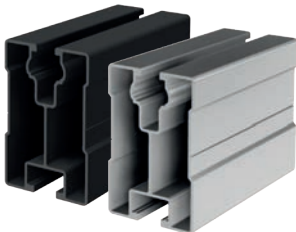
RAIL 35 - 4750 mm
Item no. 81135-4750



RAIL 40 - 2400 mm
Item no. 81140-2400
RAIL 40 - 4750 mm, black anodized
Item no. 86140-4750

RAIL 40 - 3600 mm
Item no. 81140-3600
RAIL 40 - 5850 mm,
Item no. 81140-5850

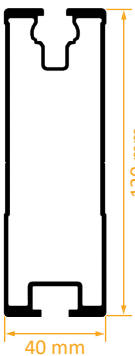
RAIL 40 - 4750 mm
Item no. 81140-4750



RAIL 60 - 2400 mm
Item no. 81160-2400
RAIL 60 - 4750 mm, black anodized
Item no. 86160-4750

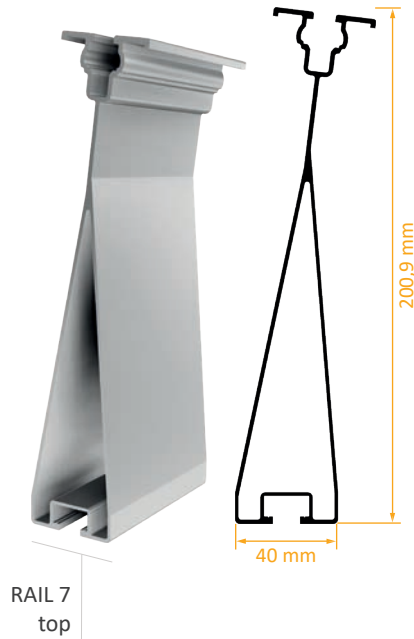
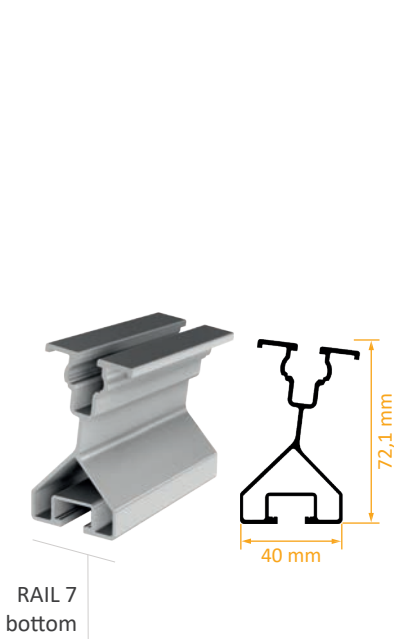
RAIL 60 - 3600 mm
Item no. 81160-3600

RAIL 60 - 4750 mm
Item no. 81160-4750



RAIL 120 - 5400 mm
Item no. 81112-5400

RAIL 120 - 5850 mm
Art.-Nr. 81112-5850



RAIL 7 bottom - 4750 mm

Item no. 81107-4750

RAIL 7 top - 4750 mm

Item no. 81106-4750



RAIL 15 bottom - 4750 mm

Item no. 81115-4750

RAIL 15 top - 4750 mm

Item no. 81114-4750

Connectors



Internal Connector RAIL 2.0 for RAIL 35

Item no. 81135-02

Internal Connector RAIL 2.0 for RAIL 40

Item no. 81140-02

Internal Connector RAIL 2.0 for RAIL 40, black anodized

Item no. 86140-02

Internal Connector RAIL 2.0 for RAIL 60

Item no. 81160-02

Internal Connector RAIL 2.0 for RAIL 60, black anodized

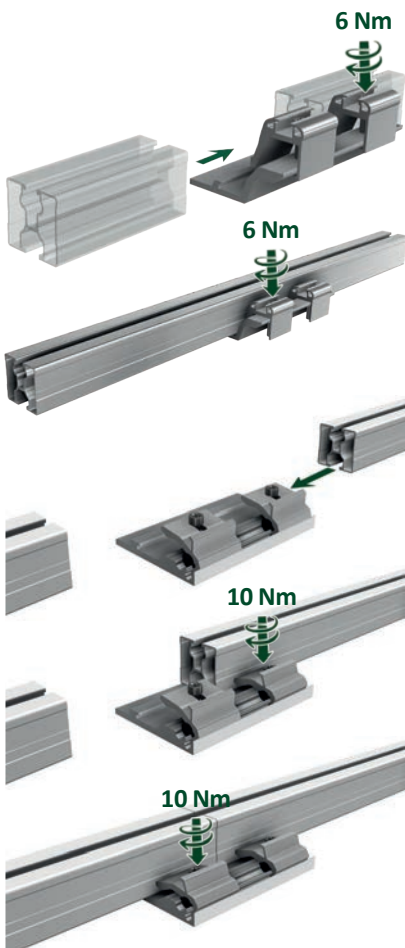
Item no. 86160-02

Internal Connector RAIL 2.0 for RAIL 120

Item no. 81112-02



1. Insert the connector into the RAILS
2. Fixate the bolts on both sides with Torx 40 with a tightening torque of 6 Nm.



External Connector RAIL 2.0 for all RAILS (excl. RAIL 120)

Item no. 81100-00

External Connector RAIL 2.0 for all RAILS (excl. RAIL 120), black anodized

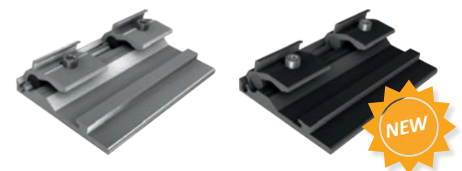
Item no. 86100-00

External Connector RAIL 3.0 for all RAILS (excl. RAIL 120)

Item no. 81110-00

External Connector RAIL 3.0 for all RAILS (excl. RAIL 120), black anodized

Item no. 86110-00



1. Insert the end of the first profile into the external connector and fixate the profile clamp with Torx 40 with a tightening torque of 6 Nm.
2. Insert the end of the second profile flush and fixate the second profile clamp with Torx 40 with a tightening torque of 6 Nm as well.

Accessories



**Plastic End Cap
RAIL 35, grey**
Item no. 94635-06

**Plastic End Cap
RAIL 40, grey**
Item no. 94640-06

**Plastic End Cap
RAIL 60, grey**
Item no. 94660-06

**Plastic End Cap
RAIL 35, black**
Item no. 94635-05

**Plastic End Cap
RAIL 40, black**
Item no. 94640-05

**Plastic End Cap
RAIL 60, black**
Item no. 94660-05

For RAIL 35, 40 and 60 we also offer color-matched end caps, which have openings for drainage and are compatible with other systems on the market.



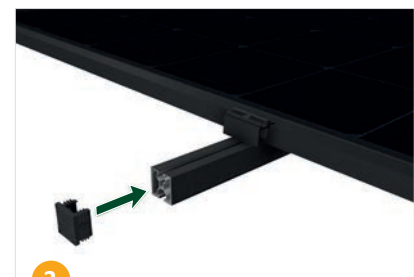
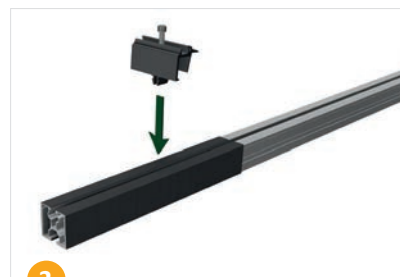
RAIL 35 Cover - 300 mm, black
Item no. 91735-00

RAIL 40 Cover - 300 mm, black
Item no. 91740-00

RAIL 60 Cover - 300 mm, black
Item no. 91760-00

- » Rail covers consist of high-quality anodized aluminum, no discolouring
- » In combination with the black RAIL end caps, black panels and dark roof tiles, a harmonious „all-black“ look is created
- » Quick and easy installation by attachment to both sides of the rail
- » No tools required

1. Attach a rail cover to each side of the rail
2. Insert the end clamp into the rail channel
3. Optionally, finish-off with a plastic end cap





Technical Data

Material	Aluminum, stainless steel (bolts)
Design Tool	SL-Rack-Configurator Solar.Pro.Tool .
Statik	The statics calculation takes place as per the current country-specific standards (EN 1991, EC1 for Germany). Depending on snow or wind loads or for large modules, it may be necessary to use more than the standard 4 attachment points. Please make sure to comply with the instructions of the module manufacturer contained in the installation manual. We do not assess the load-bearing capacity of the roof.

Your opinion is important to us!

We want to make your everyday work easier.
Your praise, criticism and suggestions for improvement help
us to do this. We look forward to your feedback.



SL Rack **Feedback**
[Provide Feedback >](#)



SL Rack **Website**
[Check it out >](#)



SL Rack **YouTube**
[Watch videos >](#)

Find us on



Subject to technical changes
and misprints.
Version 06/2024 V19