

Item no. 11602-00

### Your advantages with our products

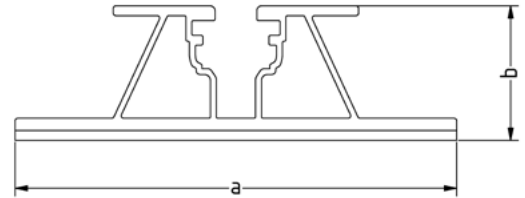
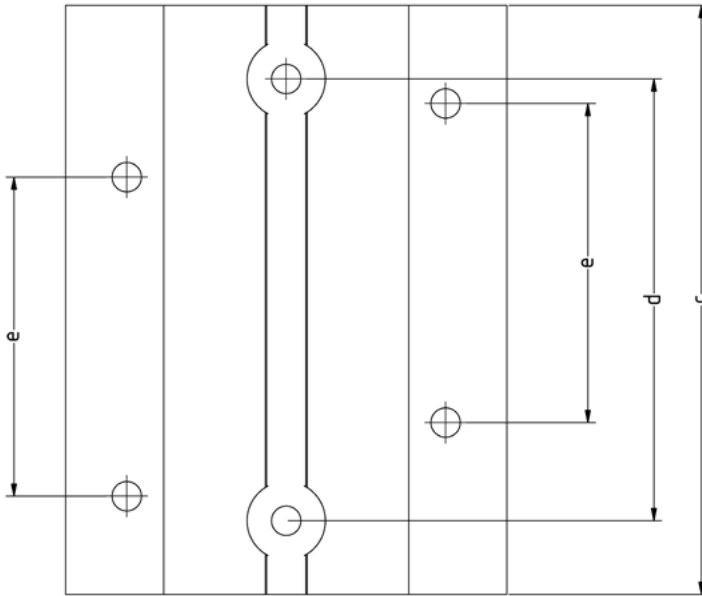
- » For use on bitumen, metal, trapezoidal, and sandwich roofs.
- » Attachment with sealing screws.
- » Compatible with RAILS, SL Foot, Cross Connector, module clamps, and FLA Holder 10°/15°.
- » Integrated butyl tape on back side.
- » No need to attach to rafters nor purlins.
- » Ideal for garden sheds and small systems.



\*Our warranty conditions apply. They are available at [www.sl-rack.com](http://www.sl-rack.com)

**Dimensions**

	a	b	c	d	e
<b>SL Mini</b>	90 mm	28 mm	120 mm	90 mm	65 mm



**Accessories**



**FLA Holder top 10°**  
Item no. 21113-10

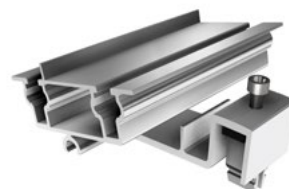


**FLA Holder top 15°**  
Item no. 21113-10



**SL Foot**  
Item no. 11100-07

**FLA Holder bottom**  
Item no. 21110-00



**Mid clamp with grounding pin**  
Item no. 91160-01



**Mid clamp with grounding pin, black anodized**  
Item no. 96160-01



**End clamp with grounding pin**  
Item no. 91162-01



**End clamp with grounding pin, black anodized**  
Item no. 96162-01

For ease of reading, the generic masculine form is used throughout this product sheet. Unless otherwise stated, personal designations used in this installation manual refer to all genders.

## Installation



### Please note:

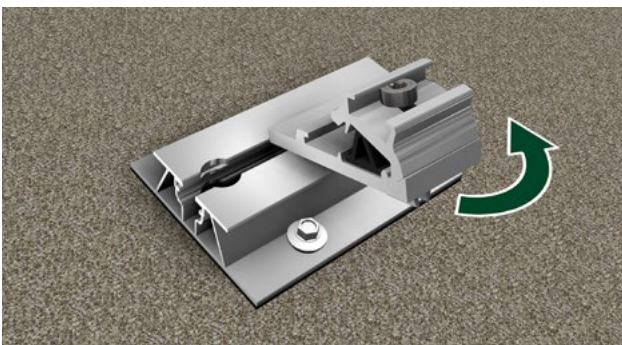
- SL Mini is designed for roofs with a pitch of  $>5^\circ$ .
- Building owner/installers need to ensure and maintain water-sealing.
- Make sure the roof surface is clean, dry, and free of dust.
- Prevent water accumulation on and around the SL Mini.
- Building owner/installers must select a self-sealing screw. For trapezoidal roofs, we recommend our self-tapping screw 6 x 25 (*item no. 93160-25*).

## Installation – railless

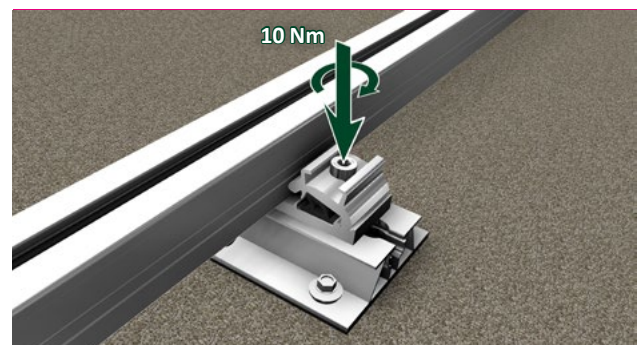


1. Using self-sealing screws, attach SL Mini to the roof cladding.
2. Attach the module with module clamps (*item no. 9116ff or 9616ff*) with a tightening torque of 10 Nm.

## Installation with Cross Connector

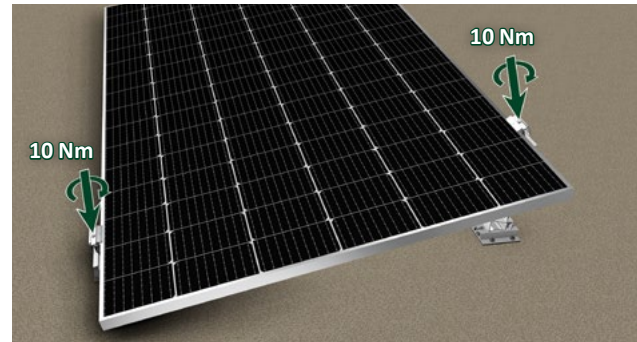
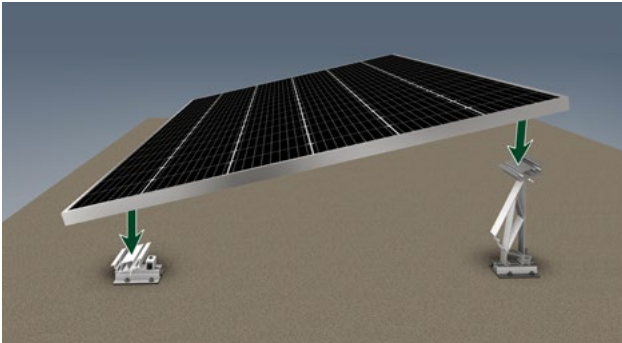


1. Using self-sealing screws, attach SL Mini to the roof cladding. Then insert the Cross Connector (*item no. 91204-00*) into the rail channel.



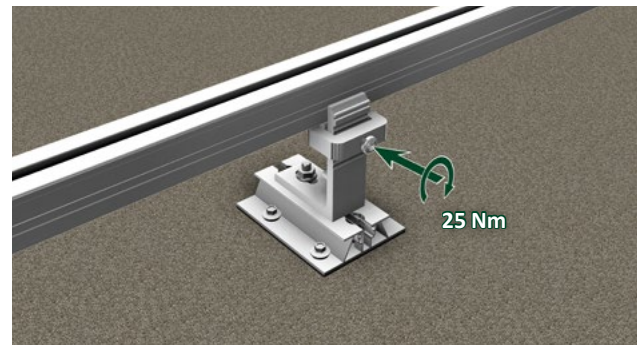
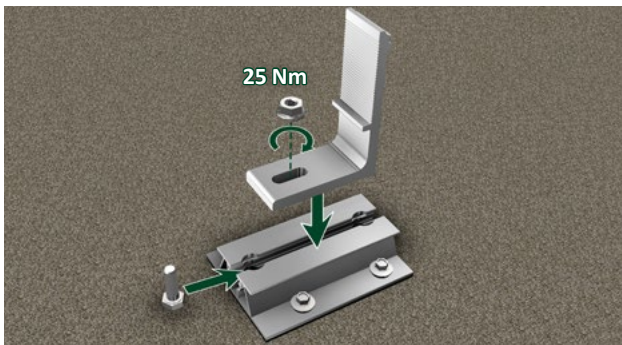
2. With a tightening torque of 10 Nm, fasten the RAIL on the Cross Connector.

### Installation with FLA Holder



- Using self-sealing screws, attach SL Mini to the roof cladding.  
**Attention:** Depending on the size of the module ensure the appropriate distance.
- Mount the FLA Holder top (*item no. 21113-10 or 21113-15*) and the FLA Holder bottom (*item no. 21110-00*) in the rail channel of SL Mini with a tightening torque of 10 Nm.  
**Attention:** The FLA Holders top and bottom must be aligned in the same direction!
- Mount the module on the FLA Holders with module clamps. Use a tightening torque of 10 Nm.

### Installation with SL Foot



- Using self-sealing screws, attach SL Mini to the roof cladding.
- Attach the SL Foot (*item no. 11100-07*) to the SL Mini using a M8 hex bolt (*item no. 71208-25*) with a tightening torque of 25 Nm.
- Fasten the RAIL with the horizontal Clamp Combination with a tightening torque of 25 Nm.





## Technical Data

<b>Material</b>	Aluminium
<b>Design Tool</b>	SL-Rack Configurator <b>Solar.Pro.Tool</b>
<b>Statics</b>	The structural analysis is carried out in accordance with the current country-specific standards (EN 1991, EC1 for Germany). Depending on snow loads, wind loads, or when utilizing large modules, it may be necessary to use more than the usual 4 fastening points. Make sure to observe the installation manual of the respective module manufacturer. The load-bearing capacity of the roof has not been evaluated by SL Rack.

SL Rack  
[Website](#)



SL Rack  
[YouTube](#)



SL Rack  
[Online-ordering  
system](#)



Contact us  
for an offer:

**SL Rack GmbH**  
Münchener Straße 1  
D-83527 Haag i. OB  
email: [sales@sl-rack.com](mailto:sales@sl-rack.com)  
Phone: +49 8072 3767-0  
[www.sl-rack.com](http://www.sl-rack.com)

Subject to technical changes  
and misprints.  
Version 07/2025 V01