

Your advantages with our products

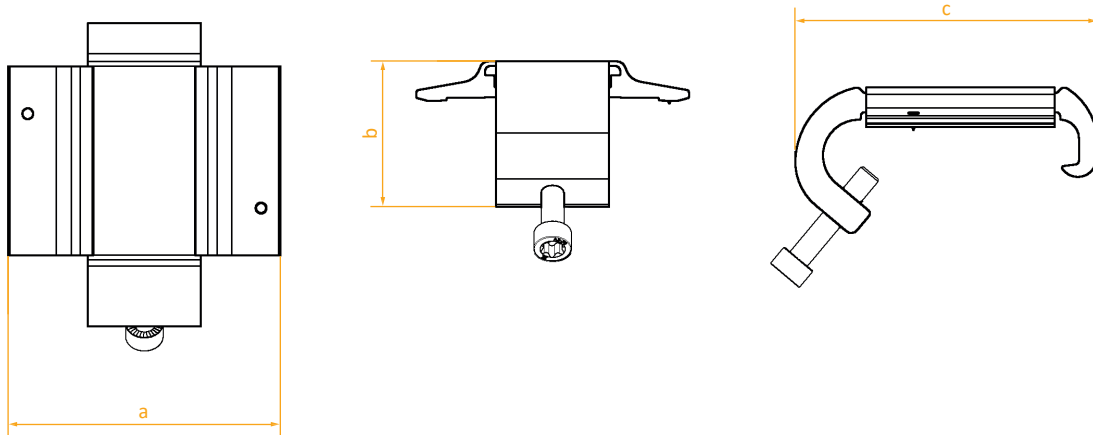
- » Clamp for ground mount systems, connecting solar panel to Z-purlin
- » Simple, quick and secure installation from below (suitable even for large modules)
- » Slide into the Z-purlin from below and tighten the screw
- » Completely pre-assembled
- » Simplified warehousing
- » Only one tool required: Torx 40
- » Only 2 mm distance between modules -> number of modules can be increased
- » Installation possible from the low and the high side of the system
- » Possibility of greater tolerances for gap between modules
- » Suitable for vertical or horizontal module mounting
- » Including pin for grounding

Please note: 4 clamps required per module

*Our warranty conditions apply.
They are available at www.sl-rack.com

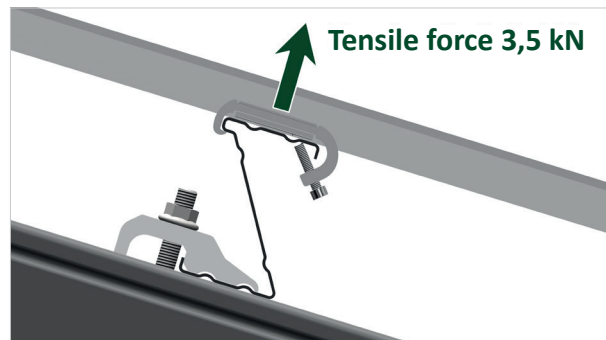
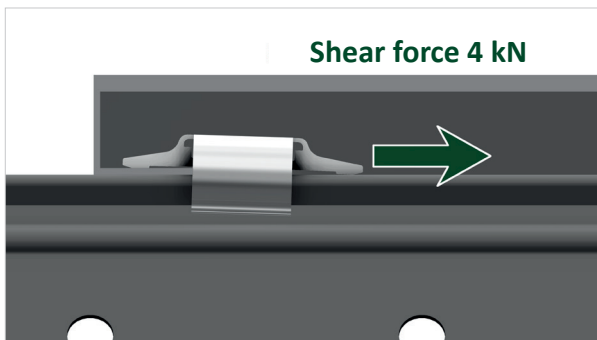
Dimensions

	a	b	c
Bottom Clamp	approx. 72,4 mm	approx. 38,5 mm	approx. 80,4 mm

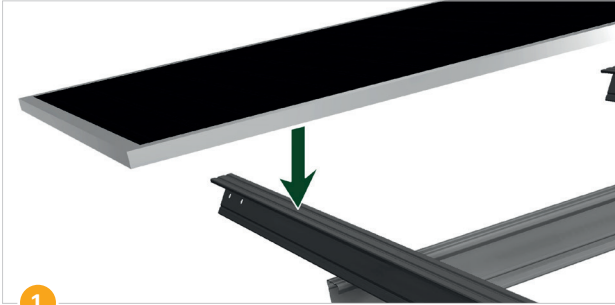


Technical Data

- » **Material:** Aluminum (clamping jaw, clamping clasp), stainless steel (grounding pin, cylinder head bolt M6)
- » **Weight:** 0,1082 kg
- » **Contact surface on module frame:** approx. 225mm²
- » **Torque:** 10,0Nm±0,5
- » **Max. transmittable forces per clamping point:**

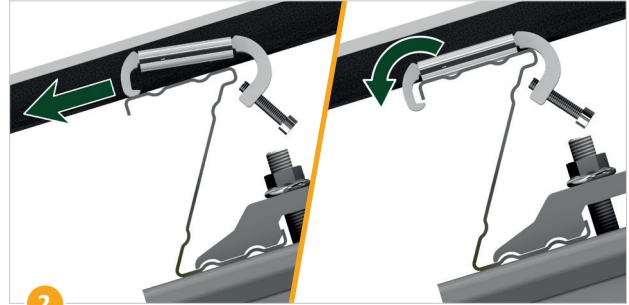


Installation



1

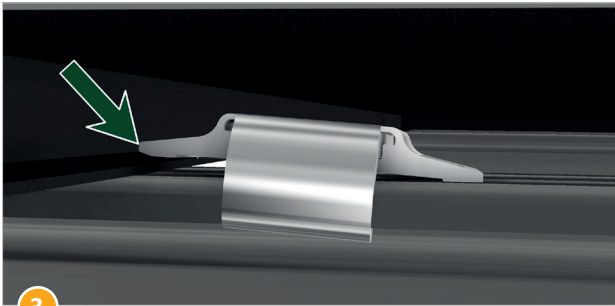
Place the solar module onto the Z-purlin.



2

Push clamp over Z-purlin.

Attention: do not damage back foil!



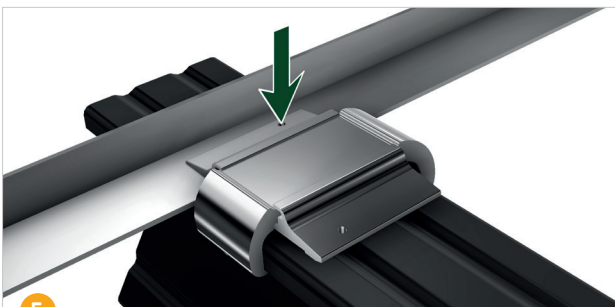
3

Lift the clamp slightly and push it over the module frame



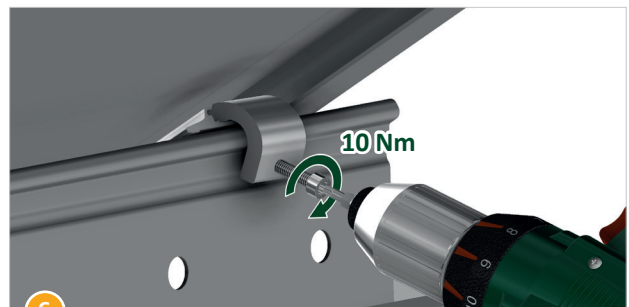
4

Clamping clasp must rest against module frame.



5

At least 1 grounding pin per module frame is required for grounding the array.



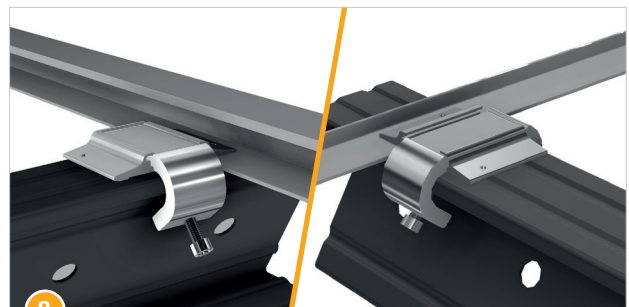
6

Tighten M6 bolt to 10 Nm +/- 0.5.



7

Correct installation – view from below.



8

Done!



Your opinion is important to us!

We want to make your everyday work easier.
Your praise, criticism and suggestions for improvement help us to do this.
We look forward to your feedback.



SL Rack **Feedback**
[Provide Feedback »](#)



SL Rack **Website**
[Check it out »](#)



SL Rack **Youtube**
[Watch videos »](#)

Find us on



Subject to technical changes
and misprints.

Version 07/2024 V2