



YOUR ADVANTAGES WITH OUR PRODUCTS

- » Specially developed for standing seam roofs
- » Identical top part with rail channel and slotted hole for maximum flexibility
- » Suitable clamping jaws for the respective standing seam roof
- » Cross-rail system with our proven Cross Connector (item no. 91204-00)
- » Rail channel for direct mounting with module clamps

*Our warranty conditions apply. They are available at www.sl-rack.de

SL Rack GmbH | 83527 Haag i. OB | Phone: +49 8072 3767-0 | sales@sl-rack.de | www.sl-rack.de

Content:

Round Seam Clamp 2.0-18mm
for KalZip and round standing seam roofs..... 4



Seam Clamp 2.0 – DFalzCU
for copper standing seam roofs..... 4



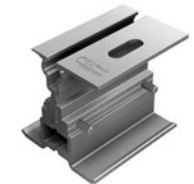
Seam Clamp 2.0 – DFalzPRO
for double standing seam roofs..... 5



Industrial Seam Clamp 2.0 - 1
for Roma RD 5



Standign Seam Clamp 2.0 – DfalzAlu
for Prefa and aluminum standing seam roofs 6



Industrial Seam Clamp 2.0 - 2
for Zambelli RIB Roof500..... 6



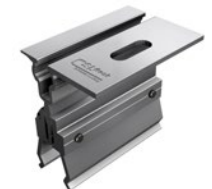
Industrial Seam Clamp 2.0 - 3
for Zambelli RIB Roof465..... 7



Round Seam Clamp 2.0-22mm
for Zambelli RIB Roof Evo 7



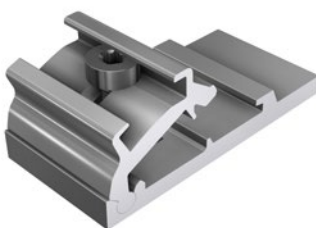
Industrial Seam Clamp 2.0 - 4 for Domico GBS	8
Industrial Seam Clamp 2.0 - 5 for Domitec.....	8
Installation cross-rail system with Cross Connector	9
Installation direct mounting	10
Installation cross-rail system with M10 bolts	11



For a perfect roof connection:

- » Check for suitability before installation.
- » Follow the specifications of ZVDH (Central Association of German Roofers).
- » Consider the roof manufacturer's approval.
- » The number of seam clamps depends on the calculations of the Solar.Pro.Tool.
- » Please note that custom approvals require prior consultation.
- » If you have any questions about our seam clamps, please contact sales@sl-rack.de

Accessories



Cross Connector
Item no. 91204-00



Mid clamp
Item no. 96162-01

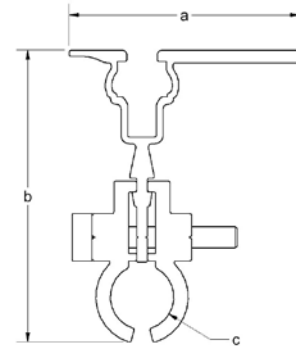


End clamp
Item no. 96160-01

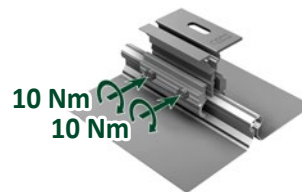
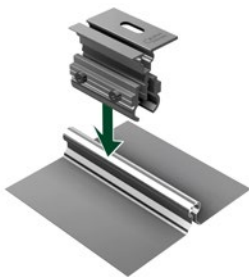
ROUND SEAM CLAMP 2.0 - 18MM FOR KALZIP - ROUND SEAM ROOF

Dimensions

	a	b	c
Item no. 11402-01	90 mm	68 mm	Ø 18 mm



Installation



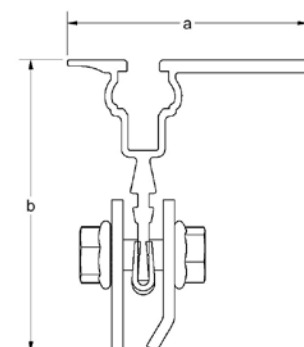
Position Round Seam Clamp 2.0-18mm, which fits KalZip, on the seam.

Tighten the round seam clamp with a torque of 10 Nm.

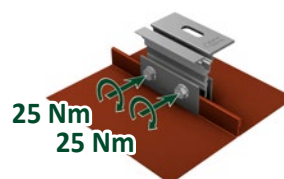
SEAM CLAMP 2.0 – DFALZCU FOR COPPER STANDING SEAM ROOFS

Dimensions

	a	b
Item no. 11402-03	90 mm	68 mm



Installation



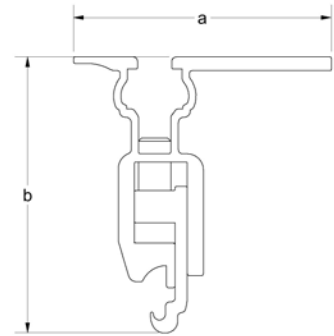
Position Seam Clamp 2.0 - DFalzCu, which fits copper double standing seam roofs, on the seam.

Tighten the standing seam clamp with a torque of 25 Nm.

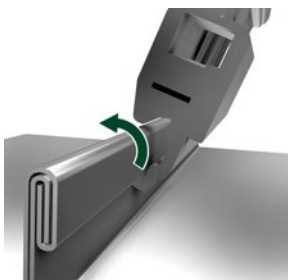
SEAM CLAMP 2.0 – DFALZPRO FOR DOUBLE STANDING SEAM ROOFS

Dimensions

	a	b
Item no. 11402-05	90 mm	68 mm



Installation



Hook the Seam Clamp 2.0 - DFalzPRO, which fits double standing seam roofs, into the seam.

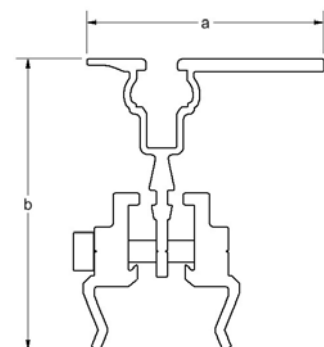
Tighten the standing seam clamp with a torque of 12 Nm.

INDUSTRIAL SEAM CLAMP 2.0 - 1 FOR ROMA RD

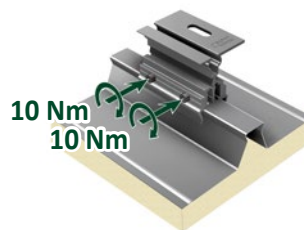
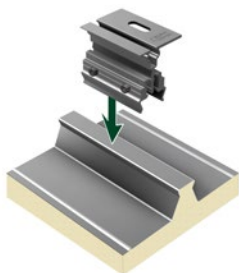
Dimensions

	a	b
Item no. 11402-06	90 mm	68 mm

» Optional: Railbridge for Roma RD



Installation



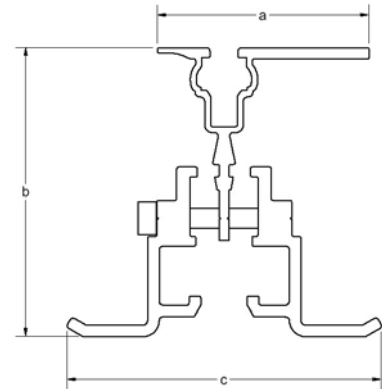
Position Seam Clamp 2.0 - 1, which fits Roma RD, on the seam.

Tighten the industrial seam clamp with a torque of 10 Nm.

**SEAM CLAMP 2.0 - DFALZALU
FOR PREFA AND ALUMINUM STANDING SEAM ROOFS**

Dimensions

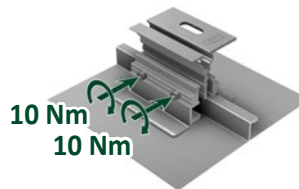
	a	b	c
Item no. 11402-07	90 mm	68 mm	80 mm



Installation



Position Seam Clamp 2.0 - DFalzAlu, which fits Prefa, on the seam.

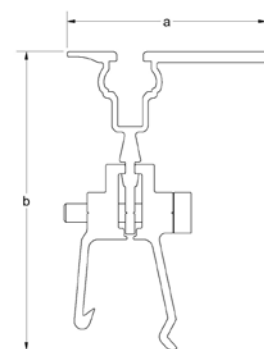


Tighten the standing seam clamp with a torque of 10 Nm.

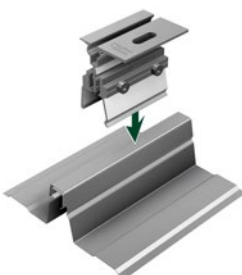
**INDUSTRIAL SEAM CLAMP 2.0 - 2
FOR ZAMBELLI RIB ROOF500**

Dimensions

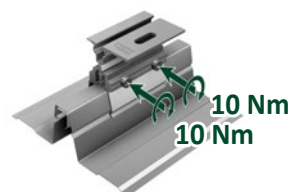
	a	b
Item no. 11402-08	90 mm	68 mm



Installation



Position Industrial Seam Clamp 2.0 - 2, which fits Zambelli RIB Roof500, on the seam.

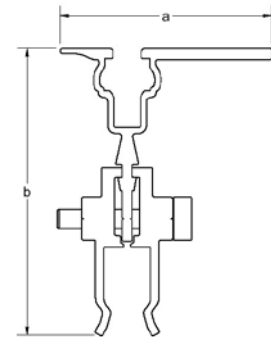


Tighten the industrial seam clamp with a torque of 10 Nm.

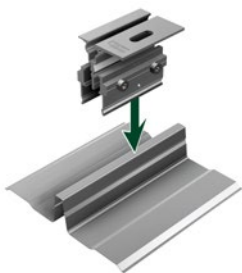
INDUSTRIAL SEAM CLAMP 2.0 - 3 FOR ZAMBELLI RIB ROOF465

Dimensions

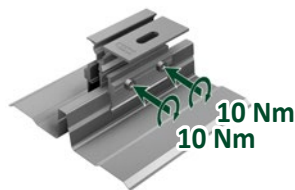
	a	b
Item no. 11402-09	90 mm	68 mm



Installation



Position Industrial Seam Clamp 2.0 - 3, which fits RIB Roof465, on the seam.

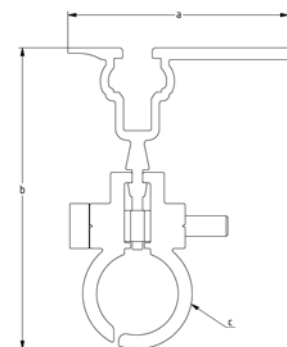


Tighten the industrial seam clamp with a torque of 10 Nm.

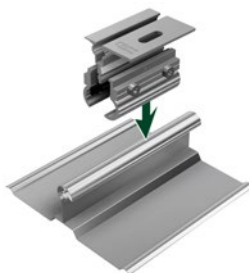
ROUND SEAM CLAMP 2.0-22MM FOR ZAMBELLI RIB ROOF EVO

Dimensions

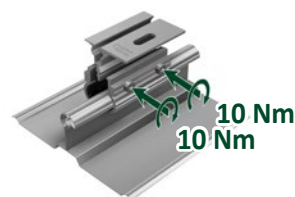
	a	b	c
Item no. 11402-10	90 mm	68 mm	Ø 22 mm



Installation



Position Round Seam Clamp 2.0-22mm, which fits RIB Roof Evo, on the seam.

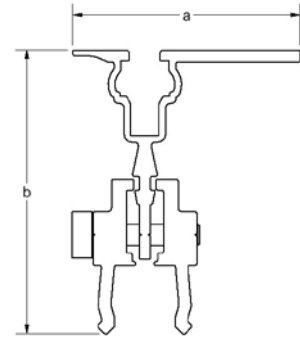


Tighten the round seam clamp with a torque of 10 Nm.

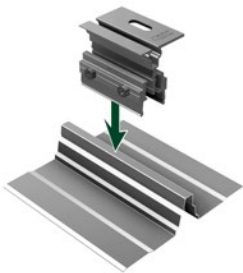
INDUSTRIAL SEAM CLAMP 2.0 - 4 FOR DOMICO GBS

Dimensions

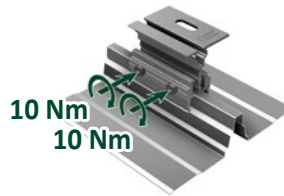
	a	b
Item no. 11402-11	90 mm	68 mm



Installation



Position the industrial seam clamp, which fits Domico GBS, on the seam.

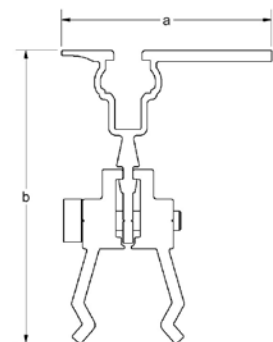


Tighten the industrial seam clamp with a torque of 10 Nm.

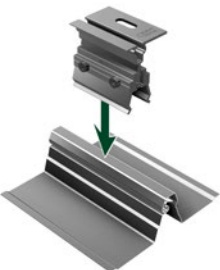
INDUSTRIAL SEAM CLAMP 2.0 - 5 FOR DOMITEC

Dimensions

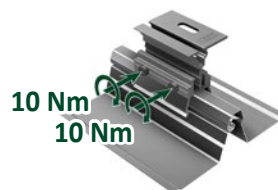
	a	b
Item no. 11402-12	90 mm	68 mm



Installation



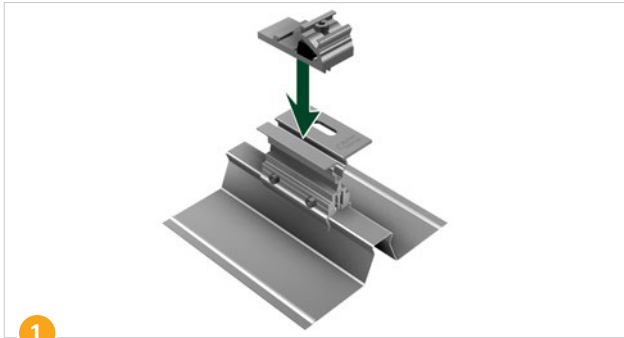
Position the industrial seam clamp, which fits Domitec, on the seam.



Tighten the industrial seam clamp with a torque of 10 Nm.

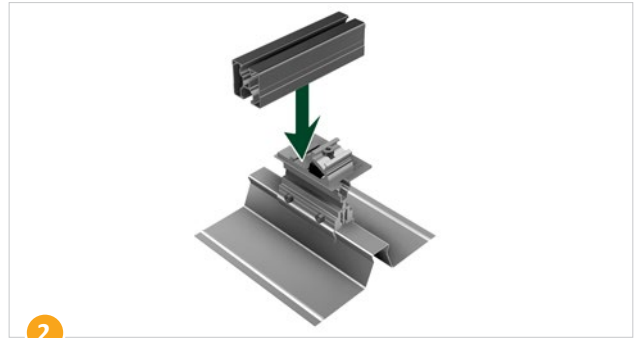
The installation shows the attachment to the Industrial Seam Clamp 2.0 - 1 as an example. The installation steps are identical for all seam clamps.

Installation of cross-rail system with Cross Connector



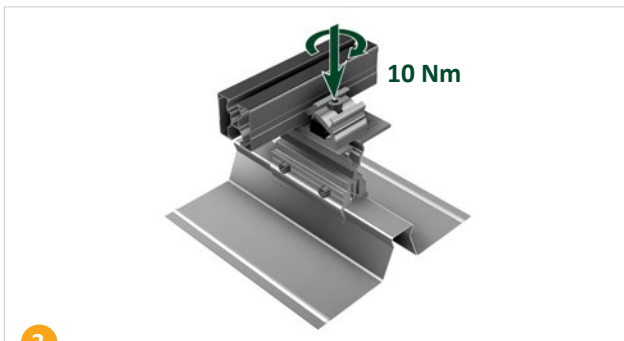
1

Insert the Cross Connector into the rail channel.



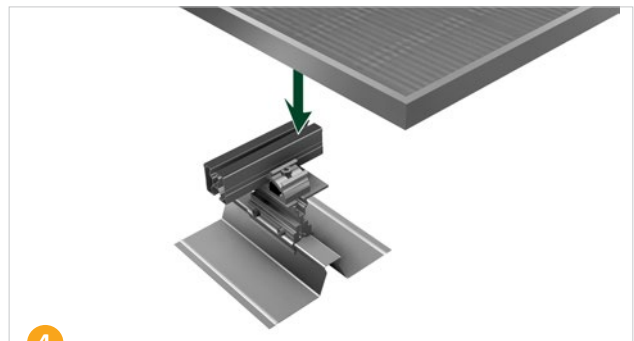
2

Place the RAIL onto the Cross Connector.



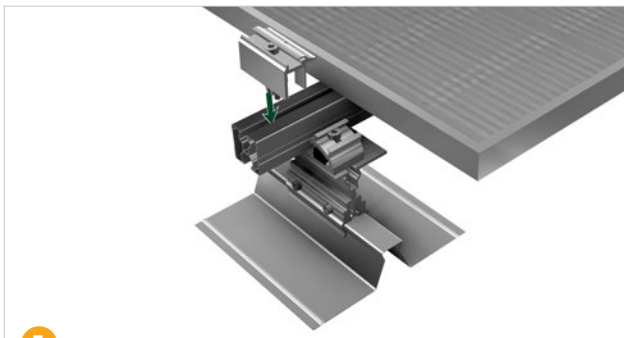
3

Tighten the Cross Connector with a tightening torque of 10 Nm.



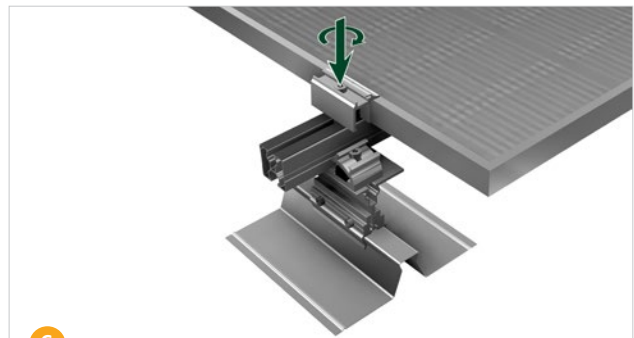
4

Position the module onto the RAIL.



5

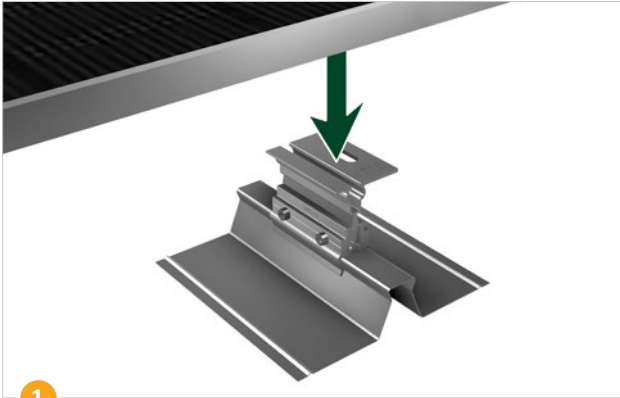
Press the module clamp Vario into the rail channel.



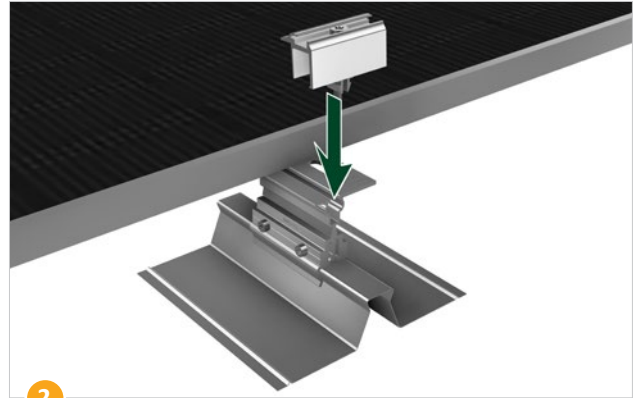
6

Clamp the module with a tightening torque of 10 Nm.

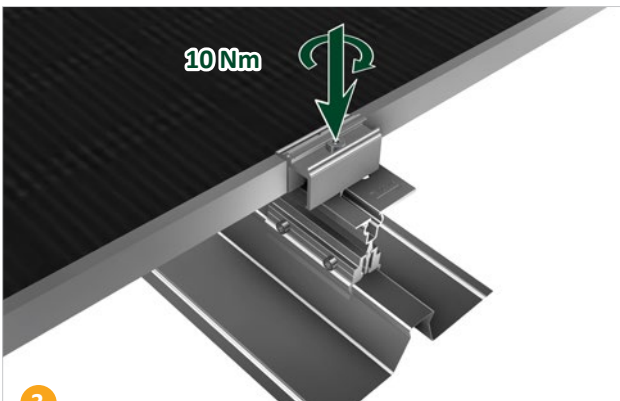
Direct mount



1
Position the module onto the seam clamp.

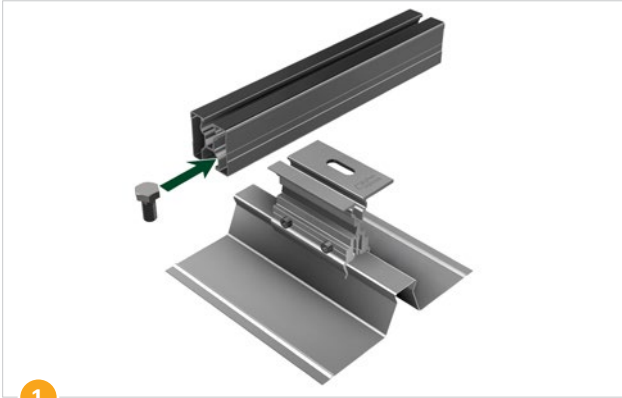


2
Press the module clamp Vario into the rail channel of the seam clamp.



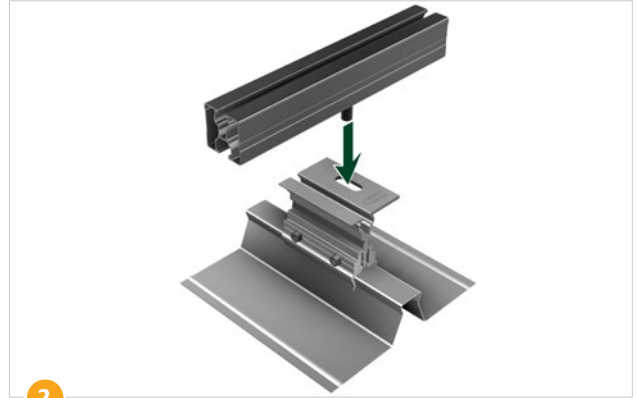
3
Clamp the module with a tightening torque of 10 Nm.

Installation of cross-rail system with M10 bolt



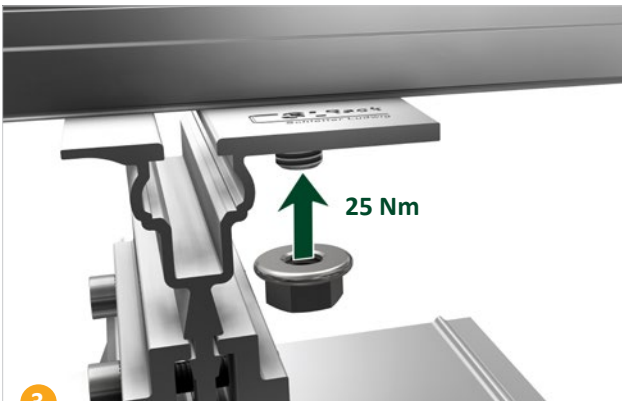
1

Insert the hex bolt into the bottom rail channel.



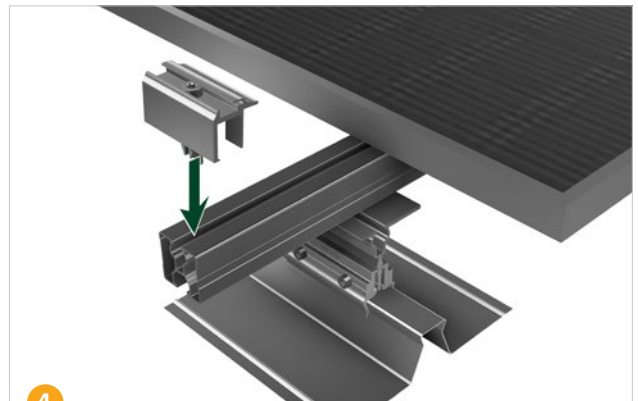
2

Note: The bolt should be located above the slotted hole.



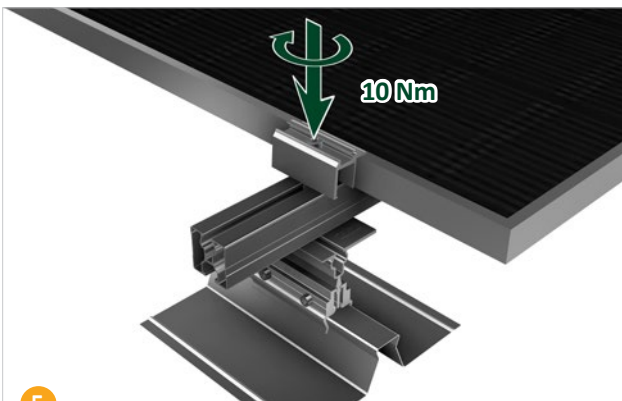
3

Tighten the bolt with a torque of 25 Nm.



4

Press the module clamp Vario into the rail channel.



5

Clamp the module with a tightening torque of 10 Nm.



Your opinion is important to us!

It is our top priority to make the installation process for you as quick, easy and efficient as possible. Please share your experiences and ideas with us, so we can continue to improve our products and develop new ones.



SL Rack **Feedback**
[Provide feedback >](#)



SL Rack **Website**
[Check it out >](#)



SL Rack **YouTube**
[Watch videos >](#)

Find us on



Subject to technical changes
and misprints.
Version 04/2025 V1