

**Seam Clamp ROMA RD horizontal**  
Item no. 11401-06

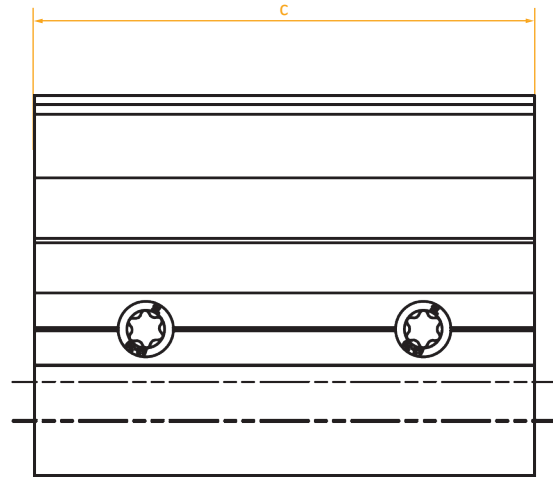
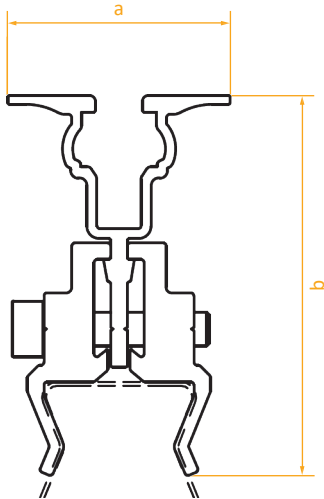
## Your advantages with our products

- » Specially developed for Roma sandwich panels
- » Simply attach to the seam and tighten with Torx 40
- » Horizontal module installation
- » For a vertical module installation add a cross-rail system with our proven Cross Connector (item no. 91204-00)
- » Material: Aluminum, stainless steel (hardware)

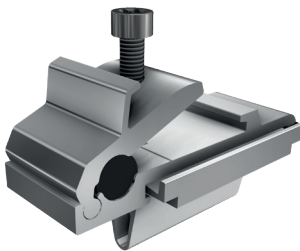
\*Our warranty conditions apply.  
They are available at [www.sl-rack.de](http://www.sl-rack.de)

## Dimensions

	a	b	c
Seam Clamp ROMA RD horizontal	40 mm	68,3 mm	90 mm



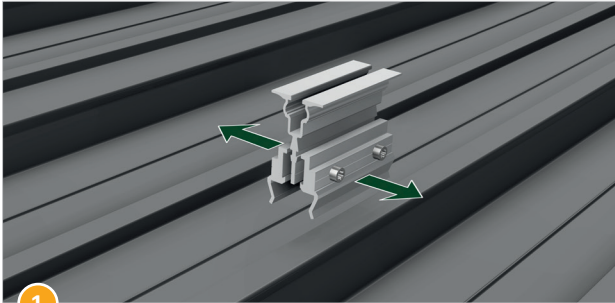
## Accessories



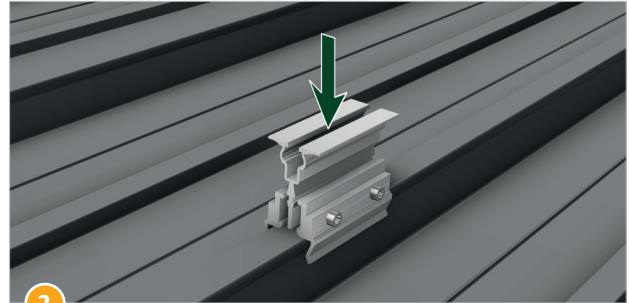
**Cross Connector**  
Item no. 91204-00

## Installation

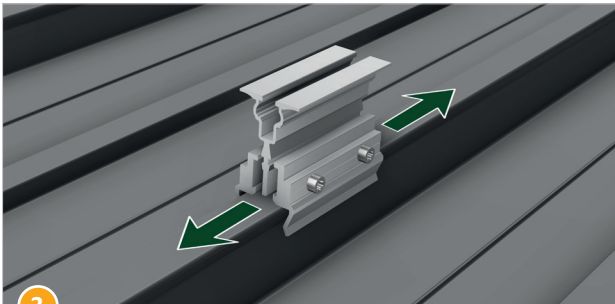
### Horizontal Module Mount



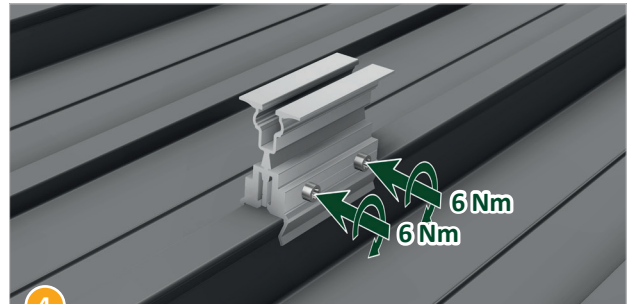
1 Pull both clamping jaws apart.



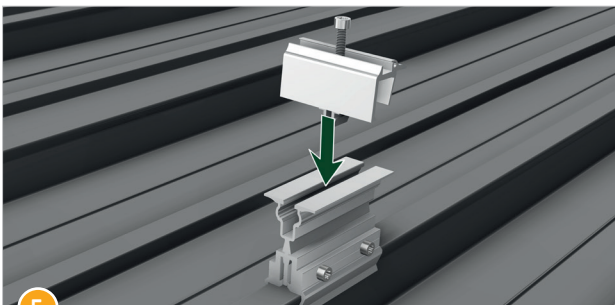
2 Position the clamp on top of the seam...



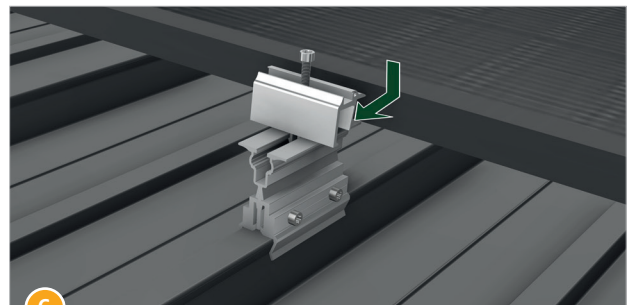
3 ... and push to the desired location.



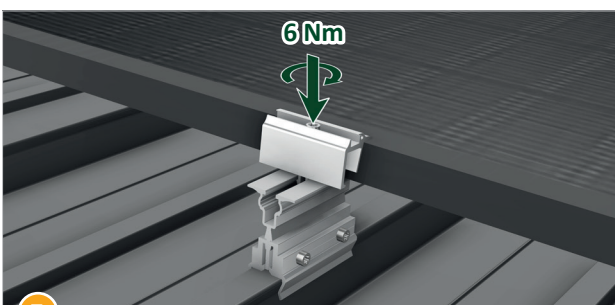
4 Tighten both clamping jaws with Torx 40 (6 Nm).



5 Press the claw of the end clamp into the rail channel.



6 Put the module onto the seam clamp and push it against the end clamp. Check the module manufacturer's installation instructions for the permitted clamping locations.



7 Tighten the module clamp with Torx 40 (6 Nm)  
- Done!



**Your opinion is important to us!**

We want to make your everyday work easier.  
Your praise, criticism and suggestions for improvement help  
us to do this. We look forward to your feedback.



SL Rack **Feedback**  
[Provide Feedback »](#)



SL Rack **Website**  
[Check it out »](#)



SL Rack **YouTube**  
[Watch videos »](#)

Find us on



Subject to technical  
changes and misprints.

Version 05/2024 V2