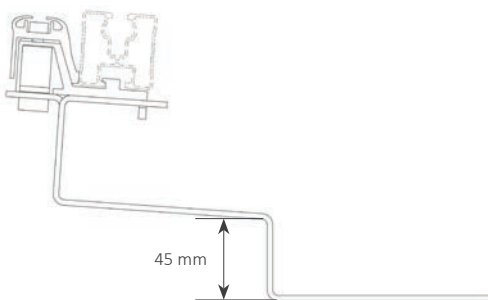
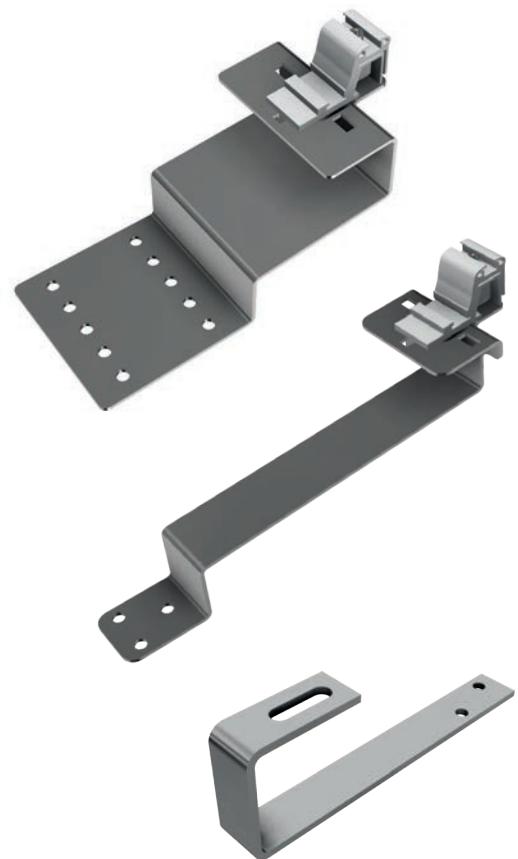


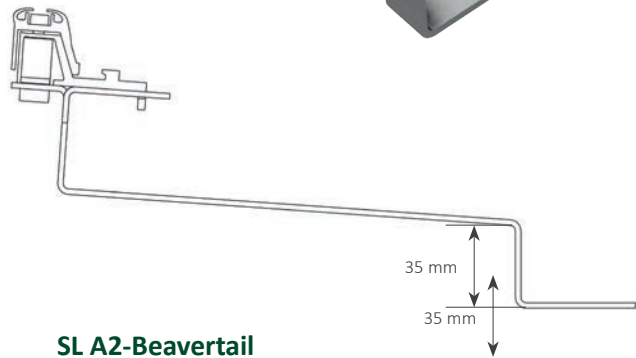


Your advantages with our products

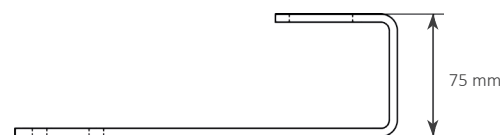
- » Stainless steel roof hook without a weld
- » Suitable for all common Tegalit and Beavertail roofs
- » The included Cross Connector allows for horizontal and vertical installation
- » Holes in the mounting plate offer lateral adjustment
- » Installer-friendly „top-down“ design: Just place the rail onto the Cross Connector and tighten the screw to fixate the rail
- » Only one tool required: Torx 40
- » Installation as single- or cross-rail system
- » **SL A2-Slate:** works with roof replacement plates; horizontal and vertical direct mounting of rails through M10 slot; bolt (M10x25) and nut optionally available, item no. 93110-25 and item no. 93306-10



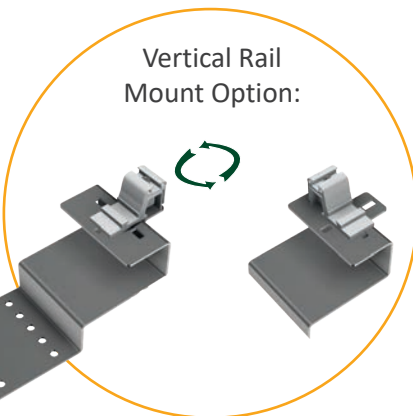
SL A2-Tegalit
Item no. 13105-00
Foot Height 45 mm



SL A2-Beavertail
Item no. 13106-00
Foot Height 35 mm



SL A2-Slate
Item no. 13107-00
Height 75 mm



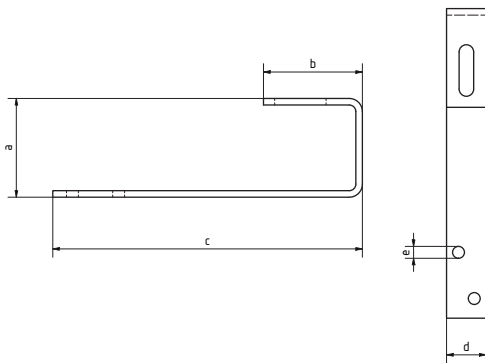
Vertical Rail Mount Option:

*Our warranty conditions apply.
They are available at www.sl-rack.com

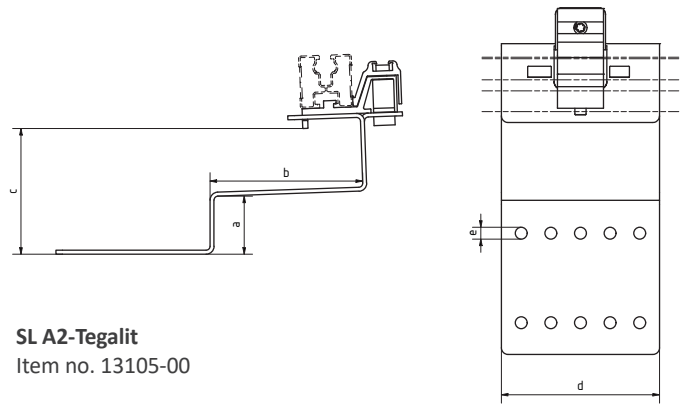


Dimensions

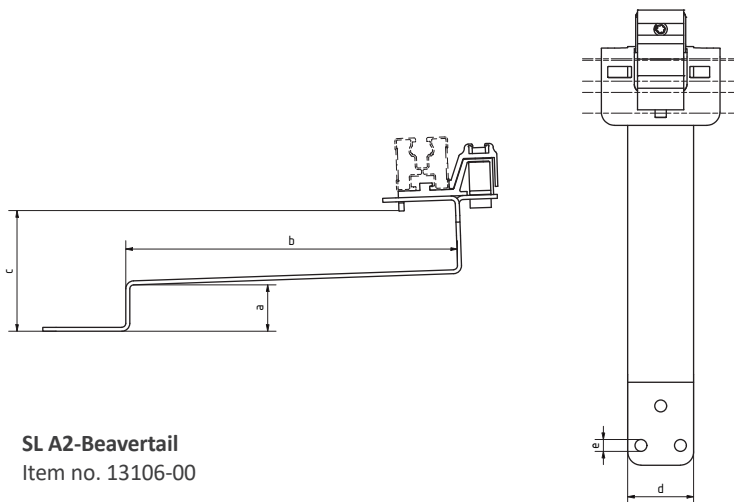
| | a | b | c | d | e |
|-------------------------|-------|--------|--------|--------|------|
| SL A2-Slate | 75 mm | 75 mm | 235 mm | 30 mm | 9 mm |
| SL A2-Tegalit | 45 mm | 116 mm | 95 mm | 120 mm | 9 mm |
| SL A2-Beavertail | 35 mm | 252 mm | 92 mm | 50 mm | 9 mm |



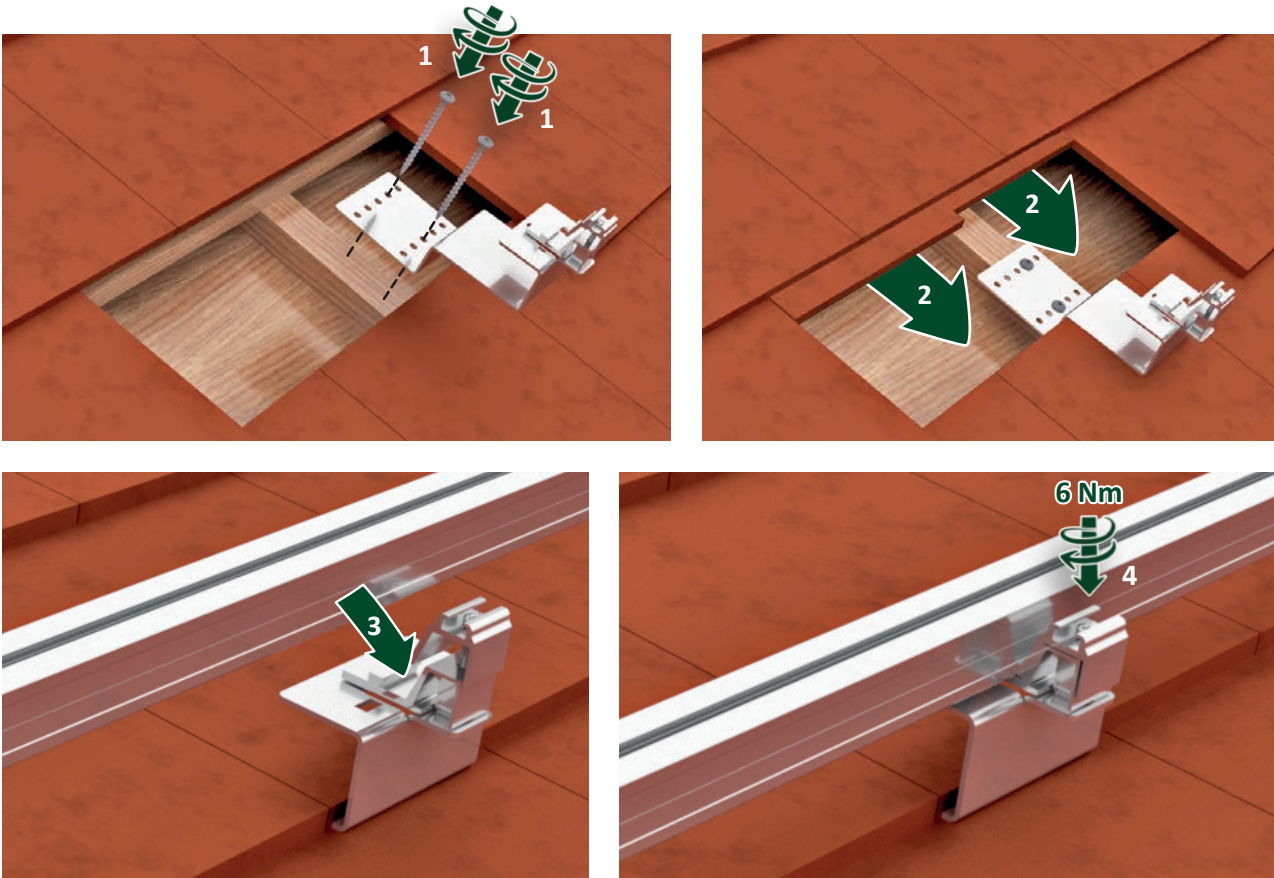
SL A2-Slate
Item no. 13107-00



SL A2-Tegalit
Item no. 13105-00



SL A2-Beavertail
Item no. 13106-00

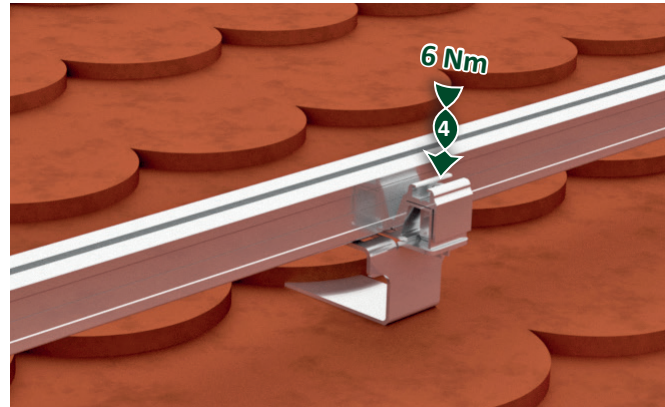
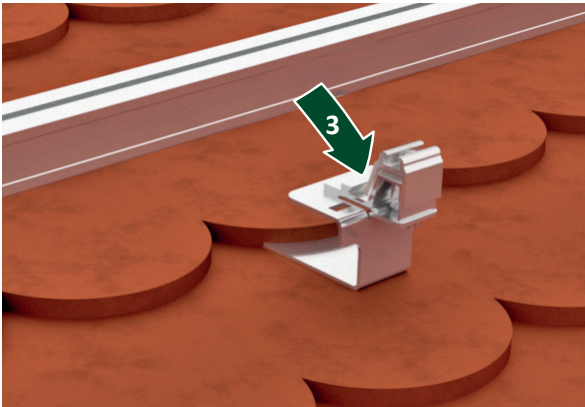
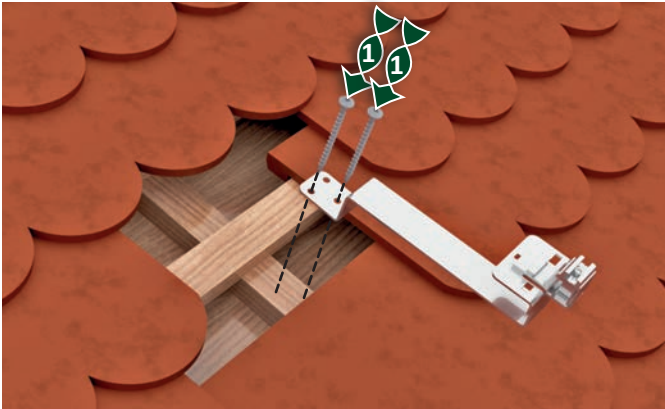


Installation SL A2-Tegalit

1. Remove tiles in the installation area. Fasten the base plate to the rafter with a minimum of 2 wood screws (at least 1 screw per horizontal row of holes)
2. Put the tiles back in place
3. Place the rail onto the Cross Connector and fixate it by tightening the bolt with Torx TX40 (6 Nm). Done!

Rafter Width

| | Wood Screw Ø 6 mm | Wood Screw Ø 8 mm |
|---------------|-------------------|-------------------|
| SL A2-Tegalit | Min. 36 mm | Min. 48 mm |

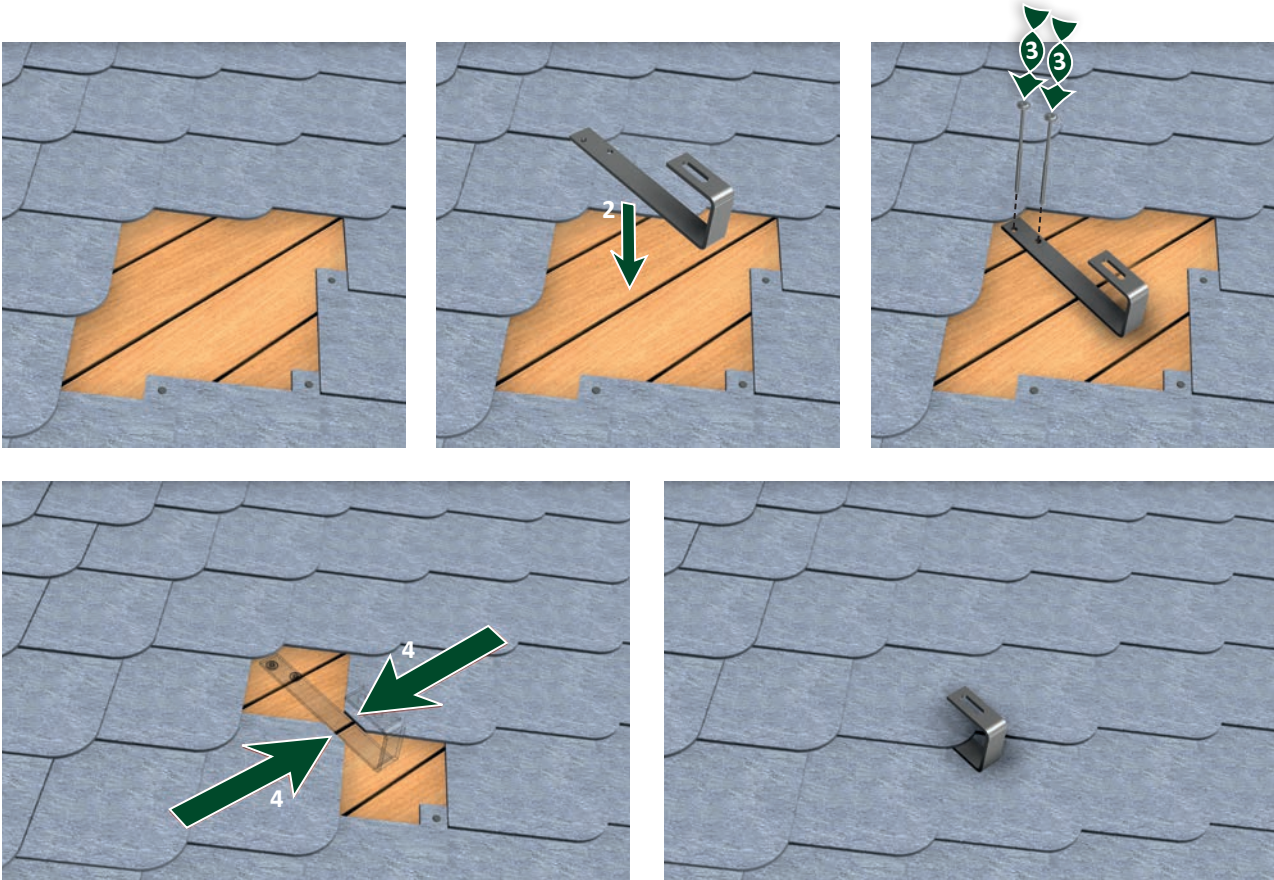


Installation SL A2-Beavertail

1. Remove tiles in the installation area. Fasten the base plate to the rafter with a minimum of 2 wood screws (at least 1 screw per horizontal row of holes)
1. Put the tiles back in place
1. Place the rail onto the Cross Connector and fixate it by tightening the bolt with Torx TX40 (6 Nm). Done!

Rafter Width

| | Wood Screw \varnothing 6 mm | Wood Screw \varnothing 8 mm |
|------------------|-------------------------------|-------------------------------|
| SL A2-Beavertail | Min. 51 mm | Min. 63 mm |



Installation SL A2-Slate

1. Remove the slates from the installation area.
2. Position the roof hook over a rafter.
3. Attach the roof hook SL A2-Slate with 2 flange head wood screws to the rafter.
4. Cut adjacent slate tiles
5. Reinstall surrounding slate tiles – done!

Rafter Width

| | Wood Screw Ø 6 mm | Wood Screw Ø 8 mm |
|-------------|-------------------|-------------------|
| SL A2-Slate | Mind. 48 mm | Mind. 60 mm |



Technical Data

| | |
|--------------------|--|
| Material | Stainless steel (unwelded), Aluminum (Cross Connector) |
| Design Tool | SL-Rack-Configurator Solar.Pro.Tool . |
| Statik | The statics calculation takes place as per the current country-specific standards (EN 1991, EC1 for Germany). Depending on snow or wind loads or for large modules, it may be necessary to use more than the standard 4 attachment points. Please make sure to comply with the instructions of the module manufacturer contained in the installation manual. We do not assess the load-bearing capacity of the roof. |

Your opinion is important to us!

We want to make your everyday work easier.
Your praise, criticism and suggestions for improvement help
us to do this. We look forward to your feedback.



SL Rack **Feedback**
[Provide Feedback >](#)



SL Rack **Website**
[Check it out >](#)



SL Rack **YouTube**
[Watch videos >](#)

Find us on



Subject to technical changes
and misprints.
Version 07/2023 V9