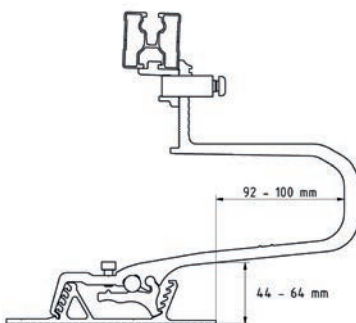
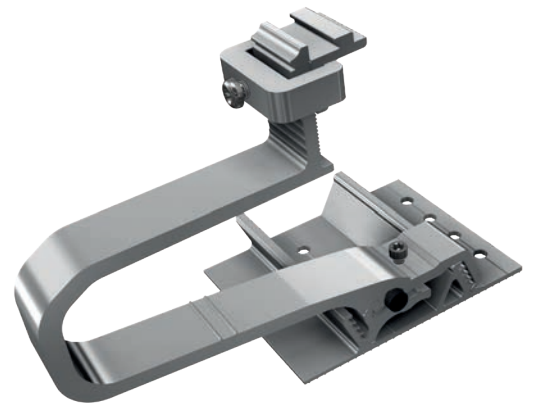


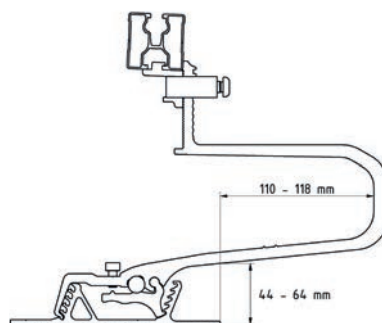


Your advantages with our products

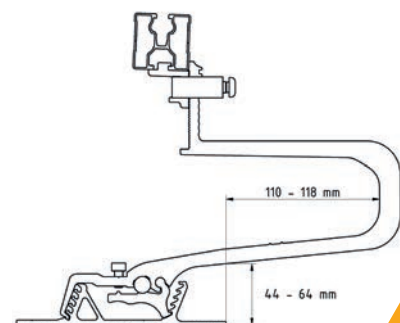
- » Suitable for all common tile roofs / snow load zones
- » **Three-dimensional adjustability of the roof hook:**
 - Optimal adaptability to the roof: no shims necessary!
 - Simple height adjustment of the foot from 44 mm - 64 mm, bracket just needs to be hooked in at the appropriate position and fixated
 - Lateral flexibility of the base plate allows for optimal positioning of the bracket when exiting the roof tiles
- » Proven and fast hook-in technology for rails
- » Height of rail easily adjustable with pre-installed Clamp Combination (switch with Clamp Combination vertical, item no. 11105-05 for a vertical rail installation)
- » Only one tool required: Torx 40
- » Installation as single- or cross-rail system
- » Due to larger hole spacing the use of M8 screws is possible
- » Application even on narrow rafters, e.g. nail trusses with a min. width of 36 mm (provided the use of M6 screws)
- » Completely made of aluminum
- » Advantage of aluminum over stainless steel:
The thickness of the material can be adapted to the absorption of the acting forces, lower weight
- » Potential Equalization Clamp (Item no. 11101-20) can be attached
- » **Compatible with Rafter Spanning Profile SL Alu-Flex 2000 (Item no. 11102-2000):**
 - Allows for max. lateral adjustments and the positioning of roof hooks between 2 rafters
 - for spanning over a non-loadable rafter
 - Ideal for the installation of roof hooks close to the verge or around dormers



SL Alu K
Item no. 11145-01



SL Alu L
Item no. 11100-01

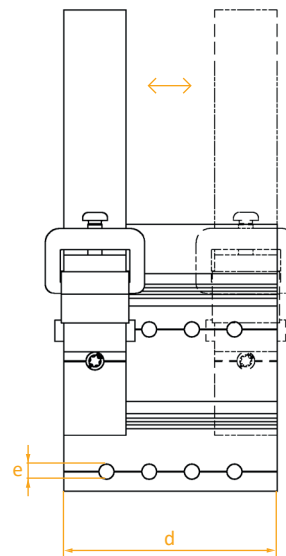
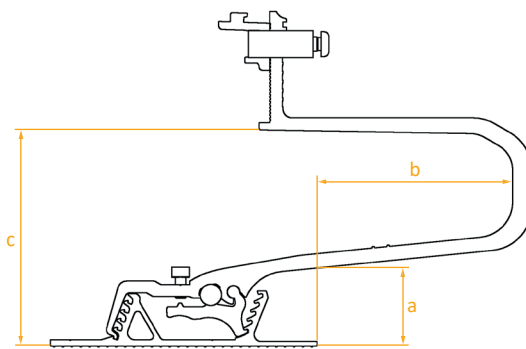


SL Alu XL
Item no. 11100-02

*Our warranty conditions apply. They are available at www.sl-rack.com

Dimensions

	a	b	c	d	e
SL Alu K	44 - 64 mm	92 - 100 mm	121 - 141 mm	120 mm	8,5 mm
SL Alu L	44 - 64 mm	110 - 118 mm	121 - 141 mm	120 mm	8,5 mm
SL Alu XL	44 - 64 mm	110 - 118 mm	121 - 141 mm	120 mm	8,5 mm



Accessories



Optional Rafter Spanning Profile
SL Alu-Flex 2000
 Item no. 11102-2000



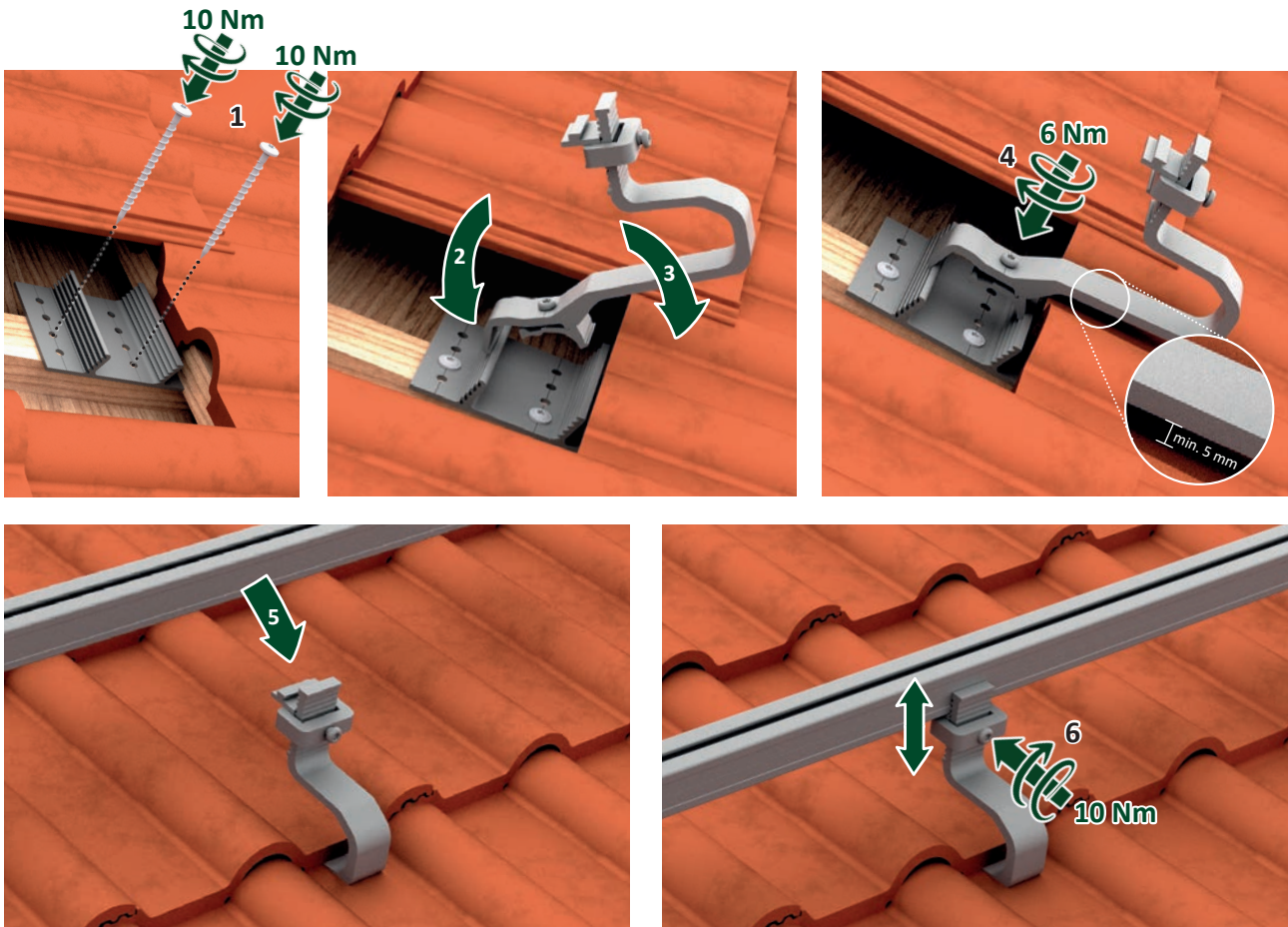
Optional Vertical
Clamp Combination
 Item no. 11105-05



Optional Potential
Equalization Clamp for
SL Alu and Alpha-Flex
 Item no. 11101-20



[Installation video
SL Alu-Vario »](#)



Installation

1. Remove tiles, pre-drill screw holes (if necessary, see table below) and fasten base plate to the rafter with a minimum of 2 wood screws (at least 1 screw per horizontal row of holes, 10 Nm). As usual, use an angle grinder to grind the top and bottom tile where the bracket exits.
2. Insert the bracket at the appropriate position.
3. Lower the bracket, ensuring a min. distance of 5 mm between tile and bracket.
4. Fixate the position of the bracket by tightening the bolt with 6 Nm. Put the tiles back in place.
5. Position the rail onto the Clamp Combination. If necessary adjust the height on the roof hook.
6. Fixate the rail by tightening the connection with 10 Nm - Done!

Rafter Width

	Wood Screw \varnothing 6 mm	Wood Screw \varnothing 8 mm
SL Alu K	Min. 36 mm - 60 mm*	Min. 48 mm - 72 mm*
SL Alu L	Min. 36 mm - 60 mm*	Min. 48 mm - 72 mm*
SL Alu XL	Min. 36 mm - 60 mm*	Min. 48 mm - 72 mm*

Table only valid in conjunction with pre-drilling

*depending on bore combination:
Screw diameter 6 mm – Drill hole \varnothing 4.0 mm
Screw diameter 8 mm – Drill hole \varnothing 5.0 mm



Technical Data

Material	Stainless steel (welded), Aluminum (Clamp Combination)
Design Tool	SL-Rack-Configurator Solar.Pro.Tool .
Statik	The structural analysis is carried out in accordance with the current country-specific standards (EN 1991, EC1 for Germany). Depending on snow loads, wind loads, or when utilizing large modules, it may be necessary to use more than the usual 4 fastening points. Make sure to observe the installation manual of the respective module manufacturer. The load-bearing capacity of the roof has not been evaluated by SL Rack.

Your opinion is important to us!

We want to make your everyday work easier.
Your praise, criticism and suggestions for improvement help us to do this.
We look forward to your feedback.



SL Rack **Feedback**
[Provide Feedback »](#)



SL Rack **Website**
[Check it out »](#)



SL Rack **YouTube**
[Watch videos »](#)

Find us on



Subject to technical
changes and misprints.
Version 08/2024 V28