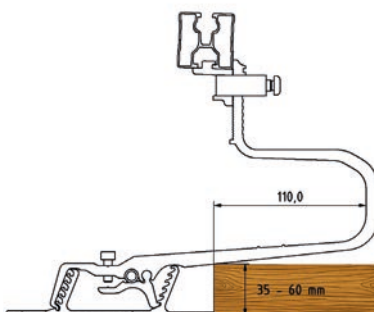
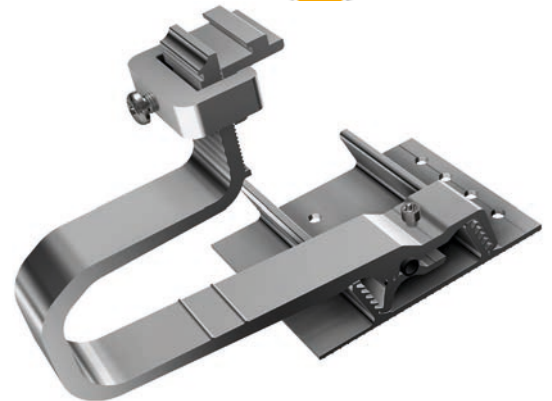


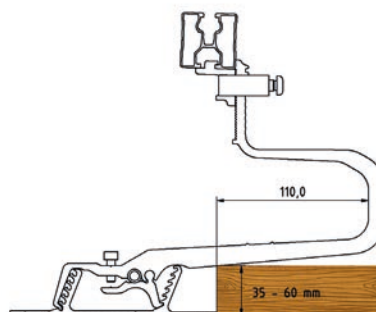


Your advantages with our products

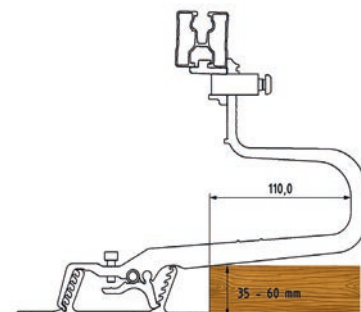
- » Suitable for all common tile roofs / snow load zones
- » **Three-dimensional adjustability of the roof hook:**
 - Optimal adaptability to the roof: no shims necessary!
 - Simple height adjustment of the foot from 35 mm - 60 mm, bracket just needs to be hooked in at the appropriate position and fixated
 - Lateral flexibility of the base plate allows for optimal positioning of the bracket when exiting the roof tiles
- » Proven and fast hook-in technology for rails
- » Height of rail easily adjustable with pre-installed Clamp Combination (switch with Clamp Combination vertical, item no. 11105-05 for a vertical rail installation)
- » Only one tool required: Torx TX40
- » Installation as single- or cross-rail system
- » Due to larger hole spacing the use of M6 screws is possible
- » Application even on narrow rafters (e.g. nail trusses) with a min. width of 36 mm (provided the use of M6 screws)
- » Completely made of aluminum
- » Advantage of aluminum over stainless steel:
The thickness of the material can be adapted to the absorption of the acting forces, lower weight
- » Potential Equalization Clamp (Item no. 11101-20) can be attached
- » **Compatible with Rafter Spanning Profile SL Alu-Vario (Item no. 11101-2000):**
 - Allows for max. lateral adjustments and the positioning of roof hooks between 2 rafters
 - for spanning one rafter, if this is not loadable
 - Ideal, when roof hooks are to be installed close to the verge or on a dormer window



SL Alu L
Item no. 11100-01



SL Alu XL
higher load applications
Item no. 11100-02

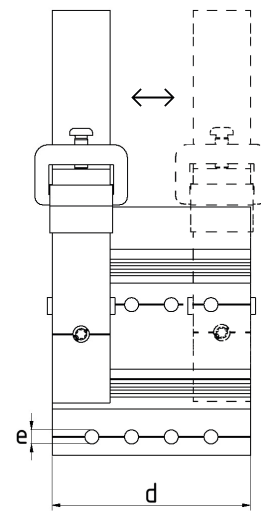
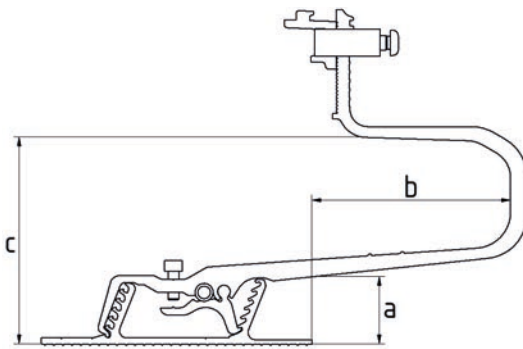


SL Alu XXL
heavy load applications
Item no. 11100-03

*Our warranty conditions apply. They are available at www.sl-rack.com

Dimensions

	a	b	c	d	e
SL Alu L	35 - 60 mm	110 - 120 mm	114 - 139 mm	120 mm	8,5 mm
SL Alu XL	35 - 60 mm	110 - 120 mm	114 - 139 mm	120 mm	8,5 mm
SL Alu XXL	35 - 60 mm	110 - 120 mm	114 - 139 mm	120 mm	8,5 mm



Accessories



Optional Rafter Spanning Profile, length 2000 mm
Item no. 11101-2000



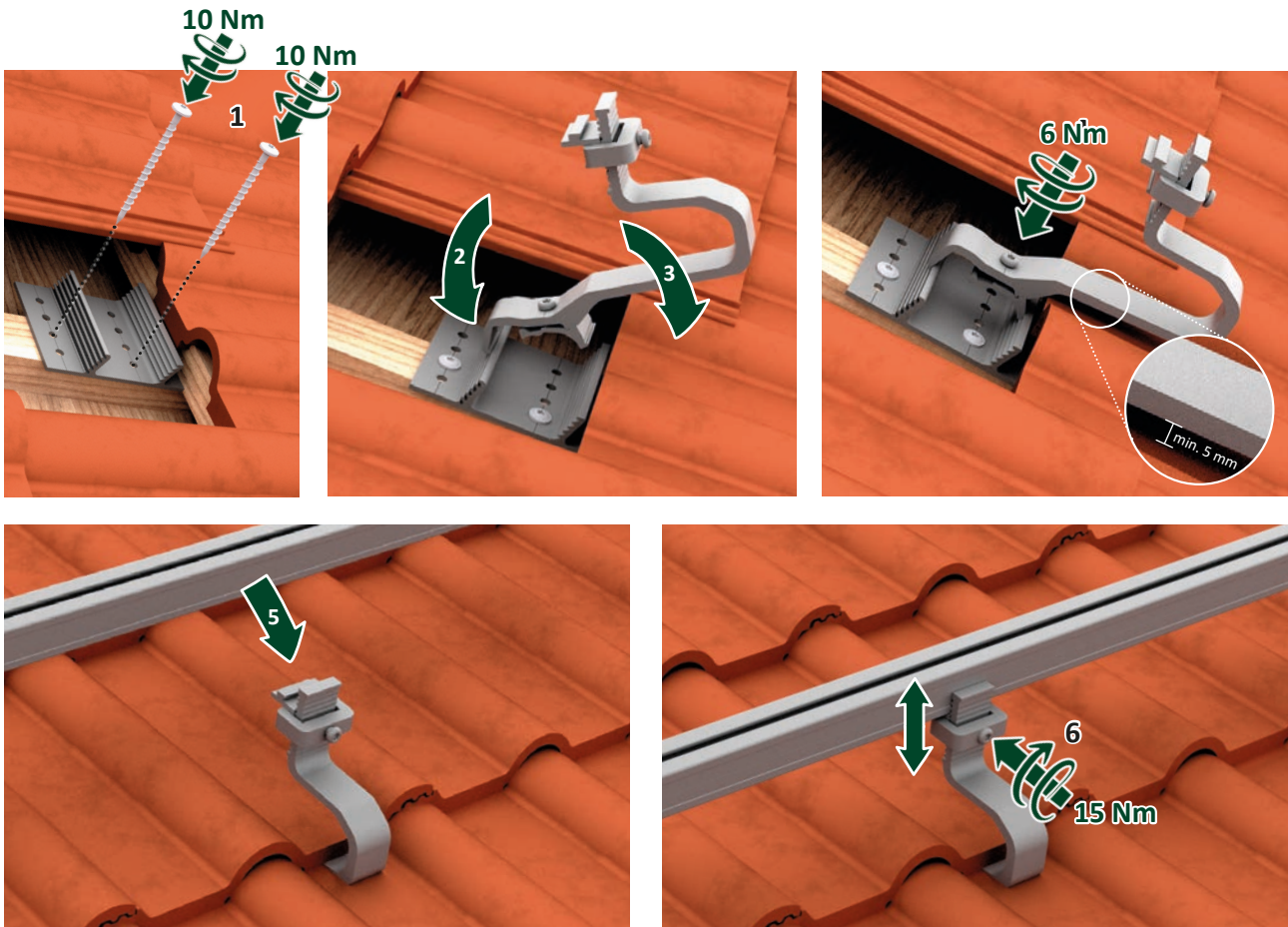
Optional Vertical Clamp Combination
Item no. 11105-05



Optional Potential Equalization Clamp for SL Alu and Alpha-Flex
Item no. 11101-20



[Installation video](#)
[SL Alu-Vario >](#)



Installation

1. Remove tiles, pre-drill screw holes (if necessary, see table below) and fasten base plate to the rafter with a minimum of 2 wood screws (at least 1 screw per horizontal row of holes, 10 Nm). As usual, use an angle grinder to grind the top and bottom tile where the bracket exits.
2. Insert the bracket at the appropriate position.
3. Lower the bracket, ensuring a min. distance of 5 mm between tile and bracket.
4. Fixate the position of the bracket by tightening the bolt with 6 Nm. Put the tiles back in place.
5. Position the rail onto the Clamp Combination. If necessary adjust the height on the roof hook.
6. Fixate the rail by tightening the connection with 15 Nm - Done!

Rafter Width

	Wood Screw Ø 6 mm	Wood Screw Ø 8 mm
SL Alu L	Min. 36 mm - 60 mm*	Min. 48 mm - 72 mm*
SL Alu XL	Min. 36 mm - 60 mm*	Min. 48 mm - 72 mm*
SL Alu XXL	Min. 36 mm - 60 mm*	Min. 48 mm - 72 mm*

Table only valid in conjunction with pre-drilling

*depending on bore combination:
 Screw diameter 6 mm – Drill hole Ø 4.0 mm
 Screw diameter 8 mm – Drill hole Ø 5.0 mm



Technical Data

Material	Stainless steel (welded), Aluminum (Clamp Combination)
Design Tool	SL-Rack-Configurator Solar.Pro.Tool .
Statik	The structural analysis is carried out in accordance with the current country-specific standards (EN 1991, EC1 for Germany). Depending on snow loads, wind loads, or when utilizing large modules, it may be necessary to use more than the usual 4 fastening points. Make sure to observe the installation manual of the respective module manufacturer. The load-bearing capacity of the roof has not been evaluated by SL Rack.



It is our top priority to make the installation process for you as quick, easy and efficient as possible. Please share your experiences, ideas or criticism with us, so we can continue to improve our products and develop new ones.



SL Rack **Feedback**
[Provide Feedback >](#)



SL Rack **Website**
[Check it out >](#)



SL Rack **YouTube**
[Watch videos >](#)

Find us on



Subject to technical
changes and misprints.
Version 12/2022 V25