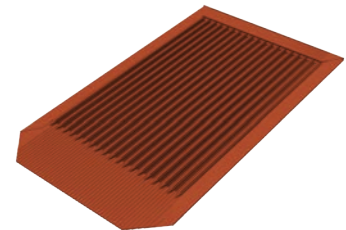
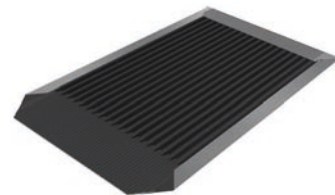



UNIVERSAL REPLACEMENT PLATE FOR BEAVERTAIL TILES

- » Can be combined with roof hook SL A2-Beavertail
- » Long-lasting stability
=> Tread resistance
=> No more broken tiles
- » Flexible positioning on the roof
- » Maximum water sealing due to raised panel sides
- » Material: Rolled aluminum sheet metal
- » Cover length: 430 mm



Beaver-Plate
Colour: Brick Red RAL 8004
 Item no. 11530-00



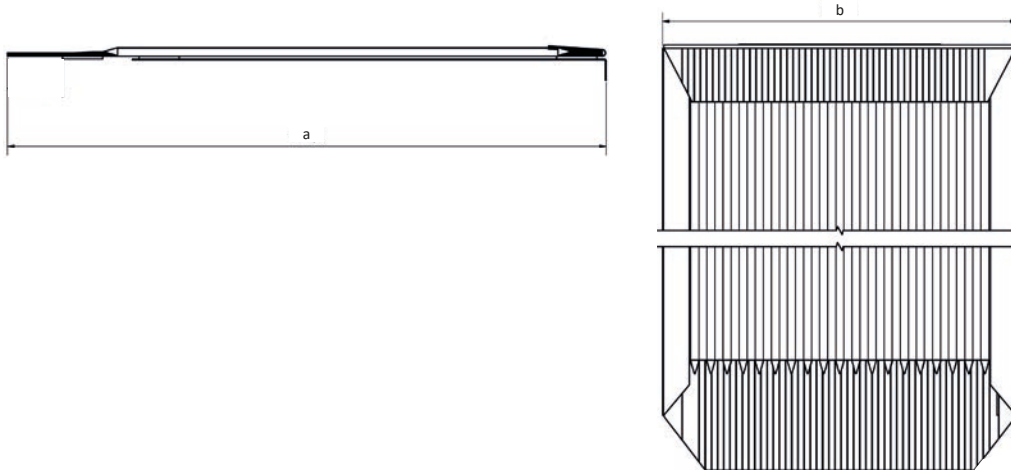
Beaver-Plate
Colour: Anthracite RAL 7016
 Item no. 11530-01



*Our warranty conditions apply.
 They are available at www.sl-rack.com

Dimensions

	a	b
Beaver-Platte	approx. 446 mm	approx. 264 mm



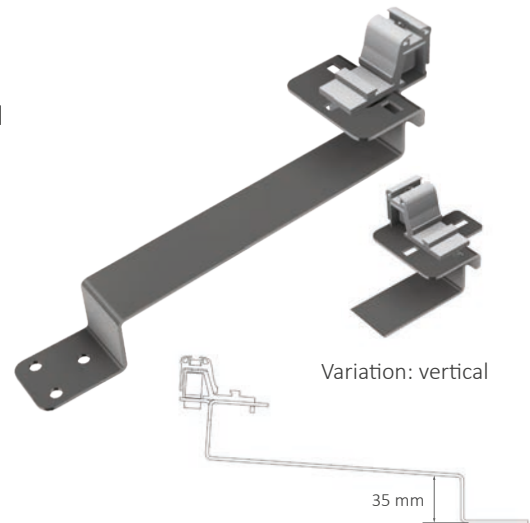
For a perfect connection to the roof, check for suitability before installation!

- » Minimum inclination of the Beaver-Plate 12 %
- » To ensure water sealing, the roof tiles need to be dry and free from dirt during installation.
- » **The covering length of the tile should not be longer than the Beaver-Plate (check dimension a).**
- » **Tiles with interlocking pyramids on the bottom and extreme bead differences/waviness are not compatible**
- » **Avoid the formation of water pockets, which would hinder proper water drainage**
- » **Attachment lugs of overlying roof tiles may need to be removed.**
- » Beaver-Plates must not be installed **directly** on top of each other.
- » Special approval upon request
- » For questions about tiles, contact sales@sl-rack.com

Accessories

» Roof hook SL A2-Beavertail

- Cleverly designed stainless steel roof hook without a weld
- Suitable for all common Beavertail roofs
- Pre-assembled Cross Connector allows for horizontal and vertical installation
- Mounting plate offers lateral adjustment
- Installer-friendly “top-down” design: Just place the rail onto the Cross Connector and tighten the screw to fixate the rail
- Only one tool required: Torx 40
- Installation as single- or cross-rail system



Item no. 13106-00	EAN 4262355110407	Roof hook SL A2-Beavertail	10 pcs. per PU
-------------------	-------------------	----------------------------	----------------

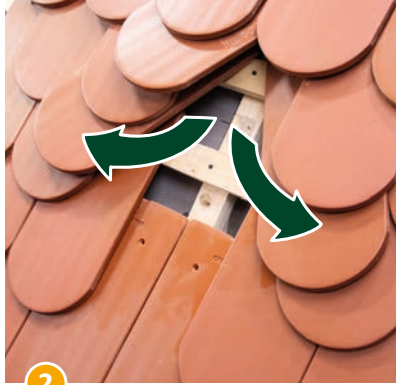
Installation



Make sure the installation area is clean, dust-free and dry!



1 Remove the tiles in the installation area. Position the remaining tiles...



2 ...under the top row, so that the cross battening is easily visible and accessible.



3 Align the opening of the support plate on the upper batten.



4 Lift the right tile and slide the Beaver-Plate underneath.



5 Lift the left tile and place it over the Beaver-Plate.



6 Check, if the opening of the support plate is hooked into the upper battening.



7 Completely peel off the cover of the adhesive tape from the back of the Beaver-Plate.



8 Starting from the center and working outwards, press down the Beaver-Plate firmly and ensure it is form-fitting.



9 Make sure no water pockets can form in the upper and center part.

Installation



Make sure the installation area is clean, dust-free and dry!



10

Align the base of the roof hook on the rafter.



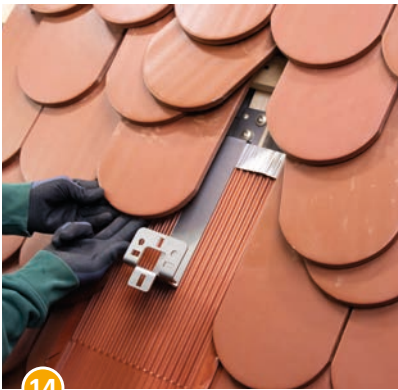
11

Fasten the roof hook to the rafter with a minimum of 2 wood screws (at least 1 screw per horizontal row of holes)



12

...with a tightening torque of 10 Nm.



14

Put surrounding tiles...



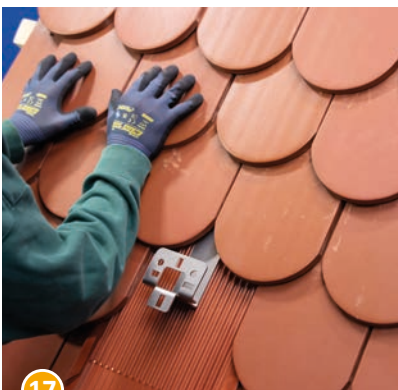
15

...



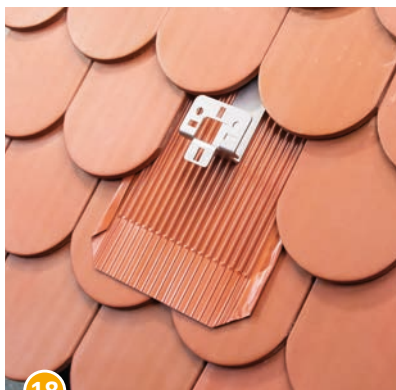
16

...



17

...back in place.



18

Done!



Technical Data

Material	Rolled sheet aluminium, rubber collar in EPDM and galvanised steel (support plate)
Design Tool	SL-Rack-Configurator Solar.Pro.Tool .
Statik	The statics calculation takes place as per the current country-specific standards (EN 1991, EC1 for Germany). Depending on snow or wind loads or for large modules, it may be necessary to use more than the standard 4 attachment points. Please make sure to comply with the instructions of the module manufacturer contained in the installation manual. We do not assess the load-bearing capacity of the roof.

Your opinion is important to us!

We want to make your everyday work easier.
Your praise, criticism and suggestions for improvement help
us to do this. We look forward to your feedback.



SL Rack **Feedback**
[Provide Feedback >](#)



SL Rack **Website**
[Check it out >](#)



SL Rack **YouTube**
[Watch videos >](#)

Find us on



Subject to technical changes
and misprints.
Version 08/2023 V1